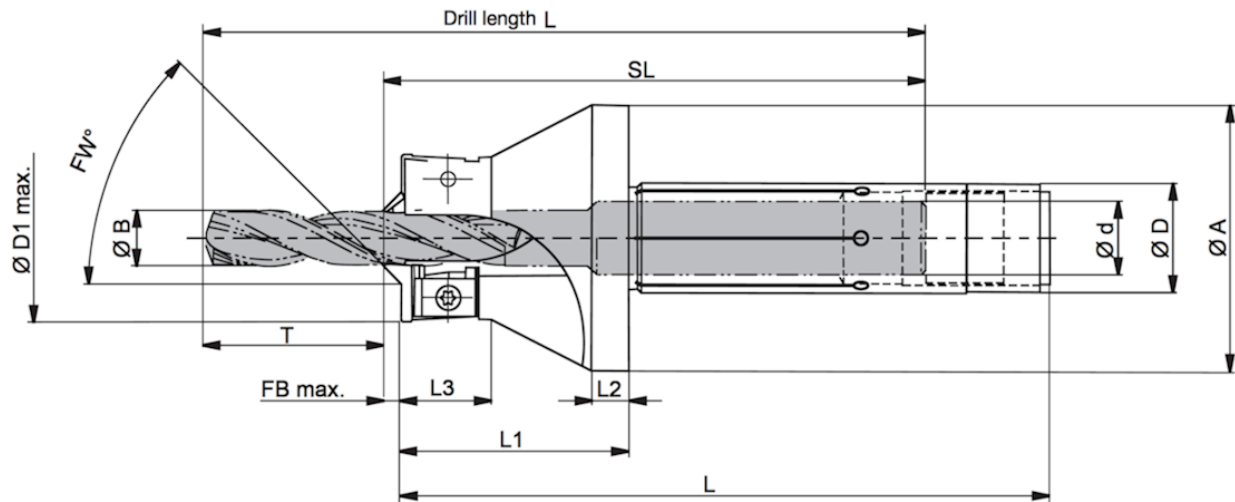




## Drill / Chamfering Tools



Part nr. <b>20042</b>												
Code	Drawing nr.	Ø B	FB max.	Ø D	Ø d	Ø A	L	L1	L2	L3	Ø D <sub>1max</sub>	Insert
6,012	H2006-1206 0000R	4.0 - 6	1.8	12	6	29	70	25	4	10	18.3	W2006-.... L
8,012	H2006-1208 0000R	6.1 - 8	1.8	12	8	29	70	25	4	10	20.2	W2006-.... L
6,020	H2006-2006 0000R	4.0 - 6	1.8	20	6	35	75	25	4	10	18.5	W2006-.... L
8,020	H2006-2008 0000R	6.1 - 8	1.8	20	8	35	75	25	4	10	20.2	W2006-.... L
10,020	H2006-2010 0000R	8.1 - 10	1.8	20	10	35	75	25	4	10	22.2	W2006-.... L
12,020	H2006-2012 0000R	10.1 - 12	1.8	20	12	35	75	25	4	10	24.4	W2006-.... L
6,032	H2006-3206 0000R	4.0 - 6	1.8	32	6	46	90	30	5	10	18.3	W2006-.... L
8,032	H2006-3208 0000R	6.1 - 8	1.8	32	8	46	90	30	5	10	20.2	W2006-.... L
10,032	H2006-3210 0000R	8.1 - 10	1.8	32	10	46	90	30	5	10	22.4	W2006-.... L
12,032	H2006-3212 0000R	10.1 - 12	1.8	32	12	46	90	30	5	10	24.4	W2006-.... L
14,020	H3006-2014 0000R	12.1 - 14	2.5	20	14	35	75	25	4	12	31.7	W3006-.... L
16,020	H3006-2016 0000R	14.1 - 16	2.5	20	16	35	75	25	4	12	33.6	W3006-.... L
14,032	H3006-3214 0000R	12.1 - 14	2.5	32	14	46	90	30	5	12	31.7	W3006-.... L
16,032	H3006-3216 0000R	14.1 - 16	2.5	32	16	46	90	30	5	12	33.6	W3006-.... L
18,032	H3006-3218 0000R	16.1 - 18	2.5	32	18	46	90	30	5	12	35.5	W3006-.... L
20,032	H3006-3220 0000R	18.1 - 20	2.5	32	20	46	90	30	5	12	37.7	W3006-.... L

### Spare Parts

Part nr. <b>20067</b>			
Code	Drawing nr.	Clamping set for	Tx
2,000	E4890	H2006-...	6
2,500	E4991	H3006-...	8

We reserve the right to make technical changes.