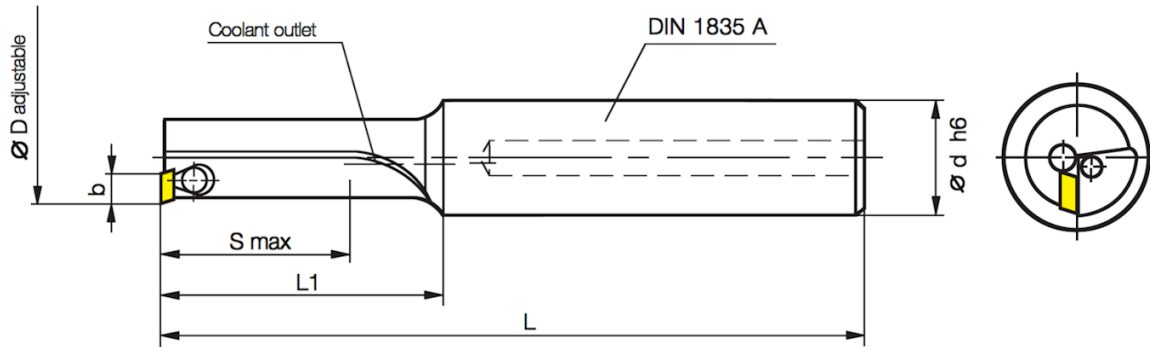




Fineboring Tools

Tapered screw adjustment μm -accurate adjustable

1 cutting edge $\varnothing 6 - 13 \text{ mm}$
internal coolant



Part nr. 20011									
Code	Drawing nr.		b	$\varnothing D$	$\varnothing d$	S	L_1	L	Inserts
6,200	H1730-0620 1512R	●	3	5.9 - 6.1	12	15	25	70	W1730-...L
			3.25	6.4 - 6.6	—————→				W1733-...L
7,200	H1730-0720 1512R	●	3	6.9 - 7.1	12	15	25	70	W1730-...L
			3.25	7.4 - 7.6	—————→				W1733-...L
8,200	H1730-0820 2012R	●	3	7.9 - 8.1	12	20	30	75	W1730-...L
			3.25	8.4 - 8.6	—————→				W1733-...L
9,200	H1730-0920 2012R	●	3	8.9 - 9.1	12	20	30	75	W1730-...L
			3.25	9.4 - 9.6	—————→				W1733-...L
10,200	H2850-1020 2516R	●	5	9.7 - 10.3	16	25	35	83	W2850-...L
			5.25	10.2 - 10.8	—————→				W2853-...L
11,200	H2850-1120 2516R	●	5	10.7 - 11.3	16	25	35	83	W2850-...L
			5.25	11.2 - 11.8	—————→				W2853-...L
12,200	H2850-1220 3016R	●	5	11.7 - 12.3	16	30	40	88	W2850-...L
			5.25	12.2 - 12.8	—————→				W2853-...L
13,200	H2850-1320 3016R	●	5	12.7 - 13.3	16	30	40	88	W2850-...L
			5.25	13.2 - 13.8	—————→				W2853-...L

● ex stock

We reserve the right to make technical changes.