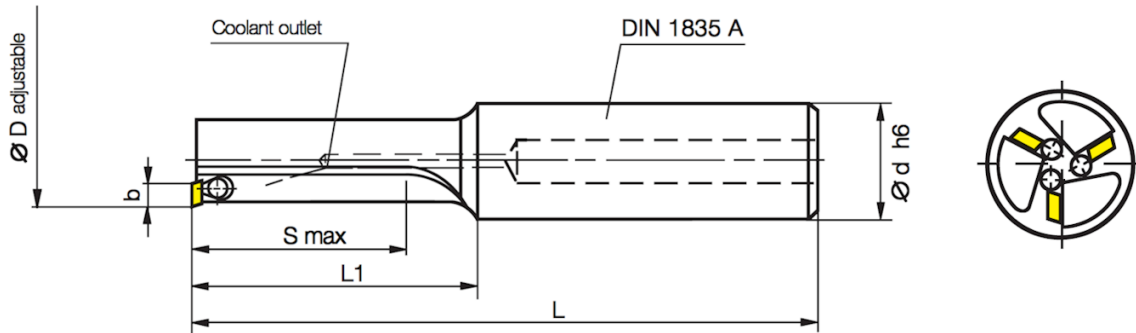




Fineboring Tools

Tapered screw adjustment μ m-accurate adjustable

3 cutting edges \varnothing 15 25 mm
internal coolant



Part nr. 20013	Code	Drawing nr.		b	\varnothing D	\varnothing d	S	L ₁	L	Inserts
	15,200	H1730-1520 3520R	●	3	14.9 - 15.1	20	35	45	95	W1730-...L
				3.25	15.4 - 15.6	----->				W1733-...L
	16,200	H1730-1620 4020R	●	3	15.9 - 16.1	20	40	50	100	W1730-...L
				3.25	16.4 - 16.6	----->				W1733-...L
	17,200	H1730-1720 4020R	●	3	16.9 - 17.1	20	40	50	100	W1730-...L
				3.25	17.4 - 17.6	----->				W1733-...L
	18,200	H1730-1820 4520R	●	3	17.9 - 18.1	20	45	55	105	W1730-...L
				3.25	18.4 - 18.6	----->				W1733-...L
	19,200	H1730-1920 4520R	●	3	18.9 - 19.1	20	45	55	105	W1730-...L
				3.25	19.4 - 19.6	----->				W1733-...L
	20,200	H2850-2020 5020R	●	5	19.7 - 20.3	20	50	64	115	W2850-...L
				5.25	20.2 - 20.8	----->				W2853-...L
	21,200	H2850-2120 5020R	●	5	20.7 - 21.3	20	50	64	115	W2850-...L
				5.25	21.2 - 21.8	----->				W2853-...L
	22,200	H2850-2220 5520R	●	5	21.7 - 22.3	20	55	69	120	W2850-...L
				5.25	22.2 - 22.8	----->				W2853-...L
	23,200	H2850-2320 5520R	●	5	22.7 - 23.3	20	55	69	120	W2850-...L
				5.25	23.2 - 23.8	----->				W2853-...L
	24,200	H2850-2420 6020R	●	5	23.7 - 24.3	20	60	74	125	W2850-...L
				5.25	24.2 - 24.8	----->				W2853-...L
	25,200	H2850-2520 6020R	●	5	24.7 - 25.3	20	60	74	125	W2850-...L
				5.25	25.2 - 25.8	----->				W2853-...L

● ex stock

We reserve the right to make technical changes.