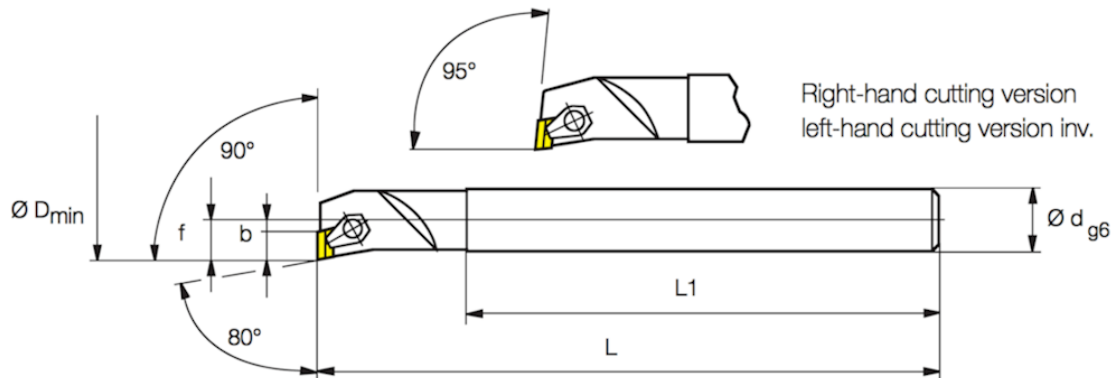




Turning Tools

Boring bars starting from 6 mm working diameter

90 / 95 approach angle, 80 corner angle Shank round version



Part nr. 20032									
Code	Drawing nr.		$\varnothing D_{min}$	$\varnothing d$	f	b	L_1	L	Inserts*
90° approach angle									
6,000	H8003-0600 0390R	●	6	6	3.25	3.00	44	60	W8003-...L
8,000	H8005-0600 0490R	●	8	6	4.50	4.50	44	60	W8005-...L
10,000	H8005-0800 0590R	●	10	8	5.50	4.50	60	80	I
12,000	H8005-1000 0690R	●	12	10	6.50	4.50	76	100	↓
15,000	H8008-1200 0890R	●	15	12	8.50	7.40	95	125	W8008-...L
20,000	H8008-1600 1190R	●	20	16	11.00	7.40	110	150	I
25,000	H8008-2000 1290R	●	25	20	12.50	7.40	130	180	↓
36,000	H8012-2500 1690R	○	36	25	16.00	11.70	135	200	W8012-...L
40,000	H8012-3200 2090R	○	40	32	20.00	11.70	170	250	↓
95° approach angle									
6,001	H8003-0600 0395R	●	6	6	3.25	3.00	44	60	W8003-...L
8,001	H8005-0600 0495R	●	8	6	4.50	4.50	44	60	W8005-...L
10,001	H8005-0800 0595R	●	10	8	5.50	4.50	60	80	I
12,001	H8005-1000 0695R	●	12	10	6.50	4.50	76	100	↓
15,001	H8008-1200 0895R	●	15	12	8.50	7.40	95	125	W8008-...L
20,001	H8008-1600 1195R	●	20	16	11.00	7.40	110	150	I
25,001	H8008-2000 1295R	●	25	20	12.50	7.40	130	180	↓
36,001	H8012-2500 1695R	○	36	25	16.00	11.70	135	200	W8012-...L
40,001	H8012-3200 2095R	○	40	32	20.00	11.70	170	250	↓

*Please note: Left-hand boring bars have to be fitted with right-hand inserts and right-hand boring bars with left-hand inserts!

● ex stock ○ on request

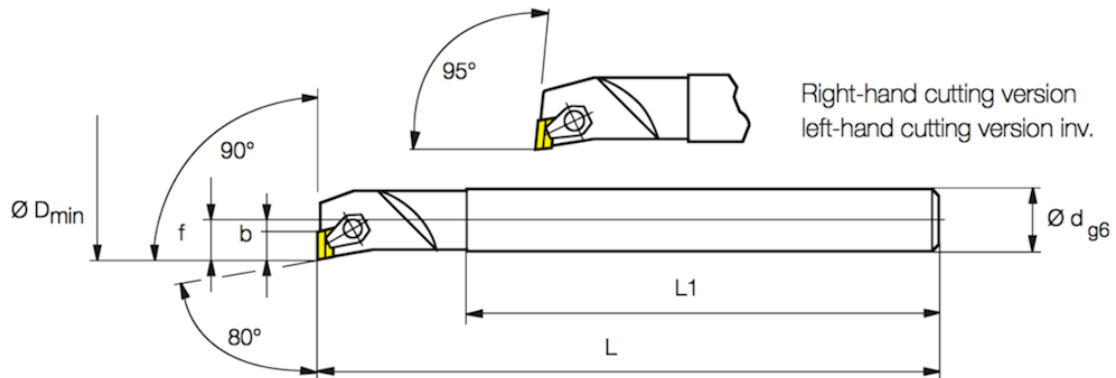
We reserve the right to make technical changes.



Turning Tools

Boring bars starting from 6 mm working diameter

90 / 95 approach angle, 80 corner angle Shank round version



Part nr. 20033	Code	Drawing nr.		Ø D _{min}	Ø d	f	b	L ₁	L	Inserts*
		90° approach angle								
	6,000	H8003-0600 0390L	●	6	6	3.25	3.00	44	60	W8003-...R
	8,000	H8005-0600 0490L	●	8	6	4.50	4.50	44	60	W8005-...R
	10,000	H8005-0800 0590L	●	10	8	5.50	4.50	60	80	I
	12,000	H8005-1000 0690L	●	12	10	6.50	4.50	76	100	↓
	15,000	H8008-1200 0890L	●	15	12	8.50	7.40	95	125	W8008-...R
	20,000	H8008-1600 1190L	●	20	16	11.00	7.40	110	150	I
	25,000	H8008-2000 1290L	●	25	20	12.50	7.40	130	180	↓
	36,000	H8012-2500 1690L	○	36	25	16.00	11.70	135	200	W8012-...R
	40,000	H8012-3200 2090L	○	40	32	20.00	11.70	170	250	↓
		95° approach angle								
	6,001	H8003-0600 0395L	●	6	6	3.25	3.00	44	60	W8003-...R
	8,001	H8005-0600 0495L	●	8	6	4.50	4.50	44	60	W8005-...R
	10,001	H8005-0800 0595L	●	10	8	5.50	4.50	60	80	I
	12,001	H8005-1000 0695L	●	12	10	6.50	4.50	76	100	↓
	15,001	H8008-1200 0895L	●	15	12	8.50	7.40	95	125	W8008-...R
	20,001	H8008-1600 1195L	●	20	16	11.00	7.40	110	150	I
	25,001	H8008-2000 1295L	●	25	20	12.50	7.40	130	180	↓
	36,001	H8012-2500 1695L	○	36	25	16.00	11.70	135	200	W8012-...R
	40,001	H8012-3200 2095L	○	40	32	20.00	11.70	170	250	↓

*Please note: Left-hand boring bars have to be fitted with right-hand inserts and right-hand boring bars with left-hand inserts!

● ex stock ○ on request

We reserve the right to make technical changes.