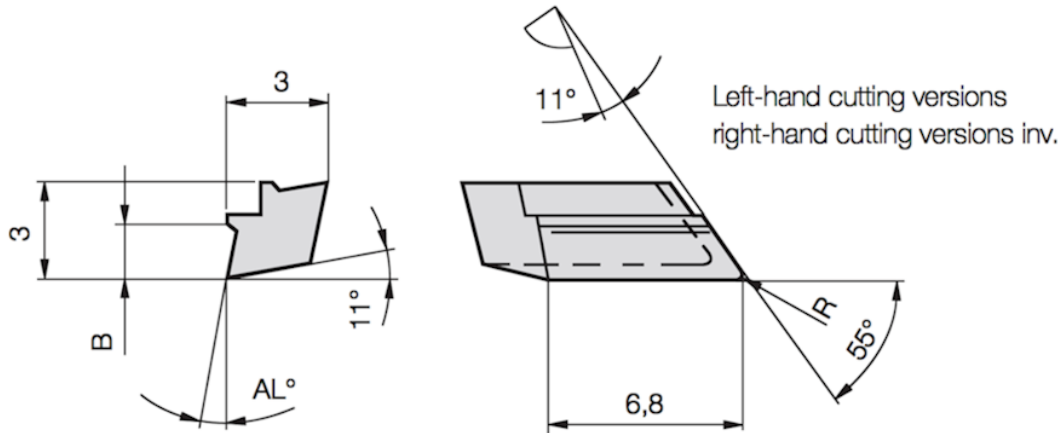


**H** Indexable inserts precision ground  
for boring bars starting from 12 mm working diameter

**Insert W 5506-..... L/R\***  
Carbide / carbide coated



					Part nr. 20275	Part nr. 20276	Part nr. 20277	Part nr. 20278	Part nr. 20279
					uncoated			coated	
Code	Drawing nr.	R	B	AL°	P10	P40	K10	H25	H26
55,060	W5506-0210 1000L	0.2	1.0	10	●	●	●	●	○
55,061	W5506-0414 1000L	0.4	1.4	10	●	●	●	●	○
55,062	W5506-0214 1620L	0.2	1.4	16	○	○	●	○	○
55,063	W5506-0414 1620L	0.4	1.4	16	○	○	●	○	○

					Part nr. 20280	Part nr. 20281	Part nr. 20282	Part nr. 20283	Part nr. 20284
					uncoated			coated	
Code	Drawing nr.	R	B	AL°	P10	P40	K10	H25	H26
55,060	W5506-0210 1000R	0.2	1.0	10	●	●	●	●	○
55,061	W5506-0414 1000R	0.4	1.4	10	●	●	●	●	○
55,062	W5506-0214 1620R	0.2	1.4	16	○	○	●	○	○
55,063	W5506-0414 1620R	0.4	1.4	16	○	○	●	○	○

\*Please note: Left-hand boring bars have to be fitted with right-hand inserts and right-hand boring bars with left-hand inserts!

● ex stock ○ on request

We reserve the right to make technical changes.