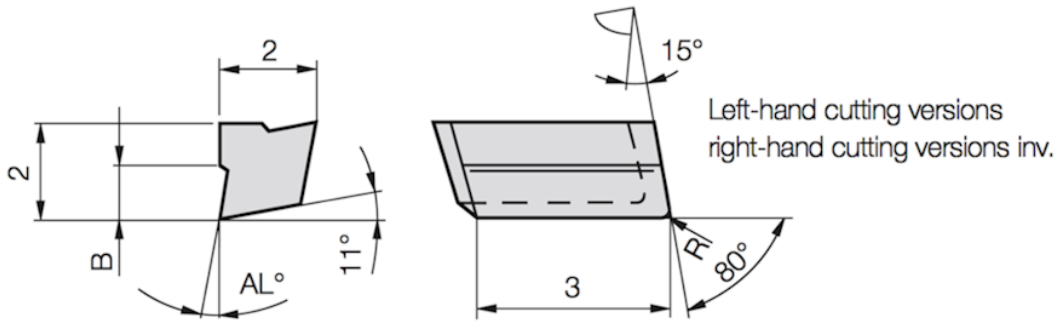


H Indexable inserts precision ground
for boring bars starting from 6 mm working diameter

Insert W 8003-..... L/R*
Carbide / carbide coated



					Part nr. 20233	Part nr. 20234	Part nr. 20235	Part nr. 20236	Part nr. 20237
					uncoated			coated	
Code	Drawing nr.	R	B	AL°	P10	P40	K10	H25	H26
80,030	W8003-0014 1020L	0.05	1.4	10	●	●	●	○	●
80,031	W8003-0214 1020L	0.2	1.4	10	●	●	●	○	●
					Part nr. 20238	Part nr. 20239	Part nr. 20240	Part nr. 20241	Part nr. 20242
					uncoated			coated	
Code	Drawing nr.	R	B	AL°	P10	P40	K10	H25	H26
80,030	W8003-0014 1020R	0.05	1.4	10	●	●	●	○	●
80,031	W8003-0214 1020R	0.2	1.4	10	●	●	●	○	●

*Please note: Left-hand boring bars have to be fitted with right-hand inserts and right-hand boring bars with left-hand inserts!

● ex stock ○ on request

We reserve the right to make technical changes.