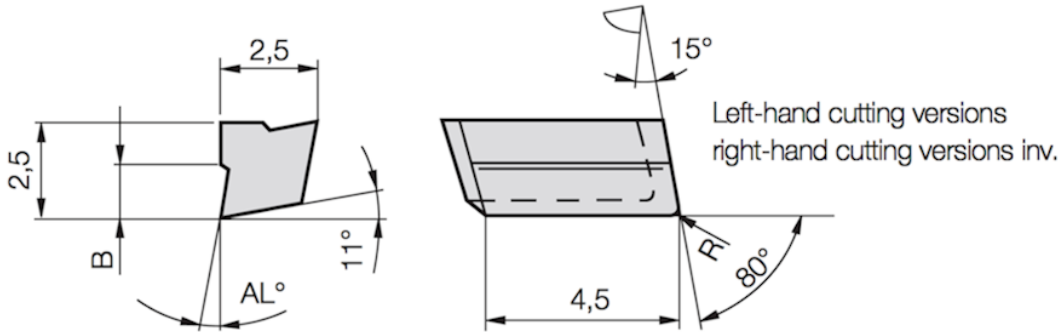


H Indexable inserts precision ground
for boring bars starting from 6 mm working diameter

Insert W 8005-..... L/R*
Carbide / carbide coated



					Part nr. 20243	Part nr. 20244	Part nr. 20245	Part nr. 20246	Part nr. 20247
					uncoated			coated	
Code	Drawing nr.	R	B	AL°	P10	P40	K10	H25	H26
80,050	W8005-0012 1020L	0.05	1.2	10	●	●	●	○	●
80,051	W8005-0212 1020L	0.2	1.2	10	●	●	●	●	●
80,052	W8005-0416 1020L	0.4	1.6	10	●	●	●	●	

					Part nr. 20248	Part nr. 20249	Part nr. 20250	Part nr. 20251	Part nr. 20252
					uncoated			coated	
Code	Drawing nr.	R	B	AL°	P10	P40	K10	H25	H26
80,050	W8005-0012 1020R	0.05	1.2	10	●	●	●	○	●
80,051	W8005-0212 1020R	0.2	1.2	10	●	●	●	●	●
80,052	W8005-0416 1020R	0.4	1.6	10	●	●	●	●	●

*Please note: Left-hand boring bars have to be fitted with right-hand inserts and right-hand boring bars with left-hand inserts!

● ex stock ○ on request

We reserve the right to make technical changes.