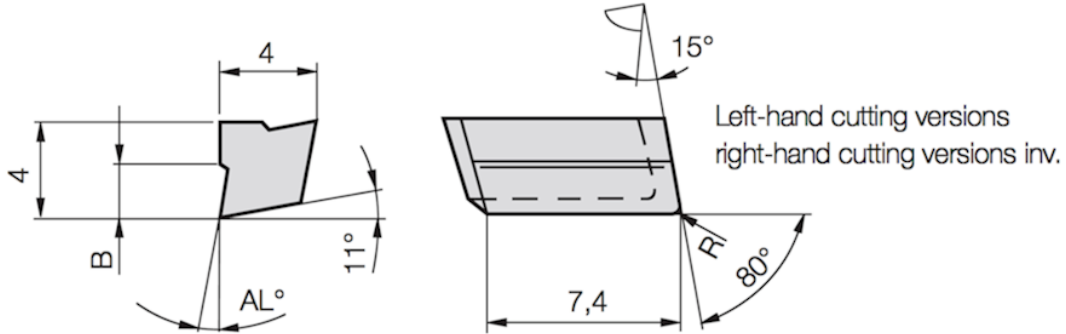


**H** Indexable inserts precision ground  
for boring bars starting from 6 mm working diameter

**Insert W 8008-..... L/R\***  
Carbide / carbide coated



					Part nr. 20253	Part nr. 20254	Part nr. 20255	Part nr. 20256	Part nr. 20257
					uncoated			coated	
Code	Drawing nr.	R	B	AL°	P10	P40	K10	H25	H26
80,080	W8008-0218 1000L	0.2	1.8	10	●	●	●	○	●
80,081	W8008-0422 1000L	0.4	2.2	10	●	●	●	●	●
80,082	W8008-0826 1000L	0.8	2.6	10	●	●	●	●	●
80,083	W8008-0226 2420L	0.2	2.6	24	○	●	●	○	●
80,084	W8008-0426 2420L	0.4	2.6	24	○	●	●	○	●

					Part nr. 20258	Part nr. 20259	Part nr. 20260	Part nr. 20261	Part nr. 20262
					uncoated			coated	
Code	Drawing nr.	R	B	AL°	P10	P40	K10	H25	H26
80,080	W8008-0218 1000R	0.2	1.8	10	●	●	●	○	●
80,081	W8008-0422 1000R	0.4	2.2	10	●	●	●	●	●
80,082	W8008-0826 1000R	0.8	2.6	10	●	●	●	●	●
80,083	W8008-0226 2420R	0.2	2.6	24	○	●	●	○	●
80,084	W8008-0426 2420R	0.4	2.6	24	○	●	●	○	●

\*Please note: Left-hand boring bars have to be fitted with right-hand inserts and right-hand boring bars with left-hand inserts!

● ex stock ○ on request

We reserve the right to make technical changes.