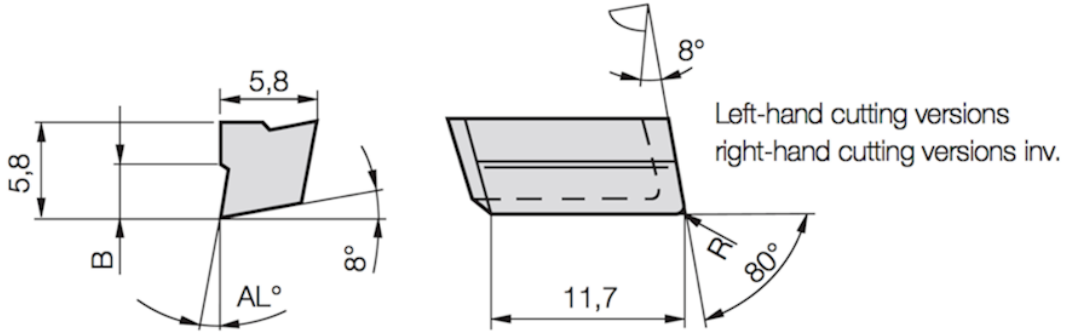


H Indexable inserts precision ground
for boring bars starting from 6 mm working diameter

Insert W 8012-..... L/R*
Carbide / carbide coated



					Part nr. 20263	Part nr. 20264	Part nr. 20265	Part nr. 20267	Part nr. 20268
					uncoated			coated	
Code	Drawing nr.	R	B	AL°	P10	P40	K10	H25	H26
80,120	W8012-0422 1000L	0.4	2.2	10	●	●	●	○	●
80,121	W8012-0826 1000L	0.8	2.6	10	●	●	●	●	●
80,122	W8012-0436 2420L	0.4	3.6	24	○	●	●	○	●
80,123	W8012-0836 2420L	0.8	3.6	24	○	●	●	○	●

					Part nr. 20269	Part nr. 20270	Part nr. 20271	Part nr. 20273	Part nr. 20274
					uncoated			coated	
Code	Drawing nr.	R	B	AL°	P10	P40	K10	H25	H26
80,120	W8012-0422 1000R	0.4	2.2	10	●	●	●	○	●
80,121	W8012-0826 1000R	0.8	2.6	10	●	●	●	●	●
80,122	W8012-0436 2420R	0.4	3.6	24	○	●	●	○	●
80,123	W8012-0836 2420R	0.8	3.6	24	○	●	●	○	●

*Please note: Left-hand boring bars have to be fitted with right-hand inserts and right-hand boring bars with left-hand inserts!

● ex stock ○ on request

We reserve the right to make technical changes.