



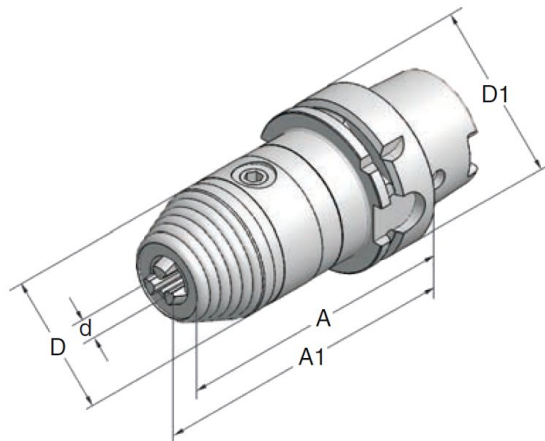
**Toolholders with HSK-tapers shank DIN 69893-1**

**CNC-Drill chucks for clockwise and anti-clockwise rotation**

Concentricity from the taper to the holding part < 0.04

Base-body balanced, G 2.5 - 8,000 r.p.m.

Type K with internal coolant, complete with connection for coolant tube



**HSK - A**

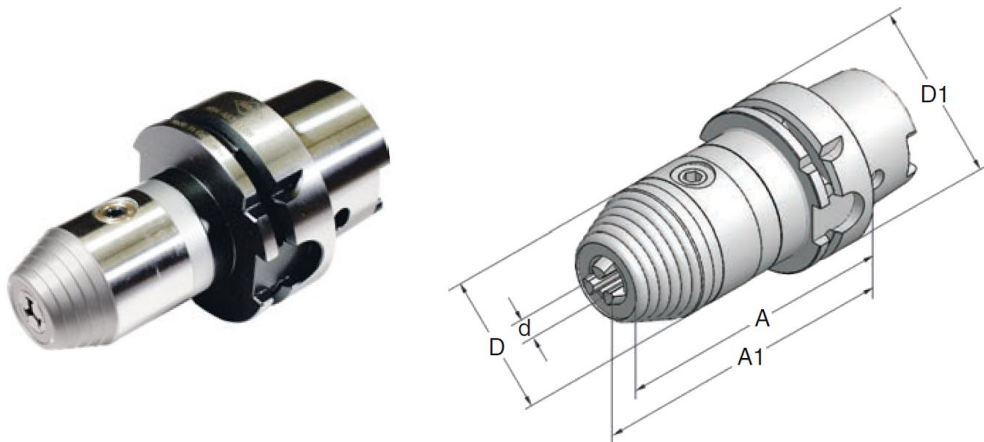
**HSK - A 40**



Art.-Nr.	Type	D1	A	A1	d	D
40.11.08	HSK-A40x1- 8x 74	40	74	77	1- 8	36
40.11.08k	HSK-A40x1- 8x 74	40	74	77	1- 8	36
<b>HSK - A 50</b>						
50.11.13	HSK-A50x1-13x108	50	108	118	1-13	50
<b>HSK - A 63</b>						
63.11.08	HSK-A63x1- 8x 83	63	83	86	1- 8	36
63.11.13	HSK-A63x1-13x103	63	103	113	1-13	50
63.11.16	HSK-A63x3-16x103	63	103	115	3-16	57
63.11.13k	HSK-A63x1-13x103iK	63	103	113	1-13	50
63.11.16k	HSK-A63x1-16x103iK	63	103	115	3-16	57
<b>HSK - A 100</b>						
100.11.13k	HSK-A100x1-13x111iK	100	111	121	1-13	50
100.11.16k	HSK-A100x3-16x111iK	100	111	123	3-16	57

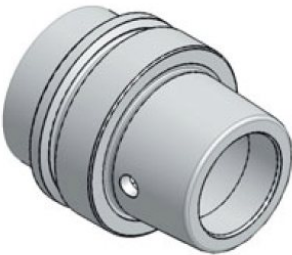
We reserve the right to make technical changes.

CNC-Drill chucks for clockwise and anti-clockwise rotation




**HSK - E**

**HSK - E 40**

	<b>Art.-Nr.</b>	<b>Type</b>	<b>D1</b>	<b>A</b>	<b>A1</b>	<b>d</b>	<b>D</b>	
	40.12.08	HSK-E40x1- 8x 74	40	74	77	1- 8	36	
	40.12.08k	HSK-E40x1- 8x 74	40	74	77	1- 8	36	
	<b>HSK - E 50</b>							
	50.12.08	HSK-E50x1- 8x 77	50	77	80	1- 8	50	
	50.12.13	HSK-E50x1-13x108	50	108	118	1-13	50	
	<b>HSK - E 63</b>							
63.12.13	HSK-E63x1-13x103	63	103	113	1-13	50		

**HSK - F**

**HSK - F 63**

	<b>Art.-Nr.</b>	<b>Type</b>	<b>D1</b>	<b>A</b>	<b>A1</b>	<b>d</b>	<b>D</b>
	63.13.13	HSK-F63x1-13x103	63	103	113	1-13	50
	63.13.16	HSK-F63x1-16x103	63	103	115	3-16	57

We reserve the right to make technical changes.