



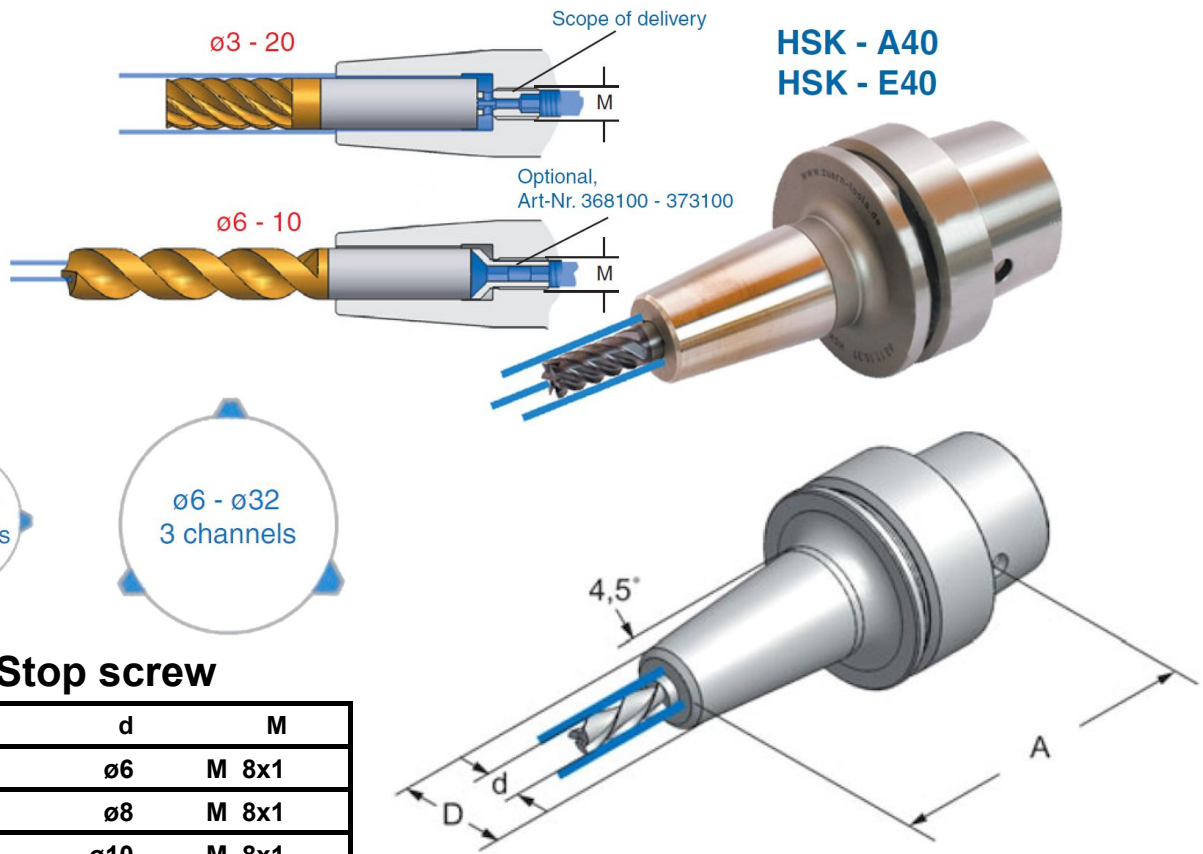
Toolholders with HSK-tapers shank DIN 69893-1

Shrinking chucks POWER-FLASH high-speed DIN 69882-8

Best possible coolant supply through coolant channels in the boring
Concentrated coolant supply up to 20,000 r.p.m. to the cutting edge

Base-body balanced, G 2.5 - 20,000 r.p.m.

Delivery without tool



HSK - A40
HSK - E40

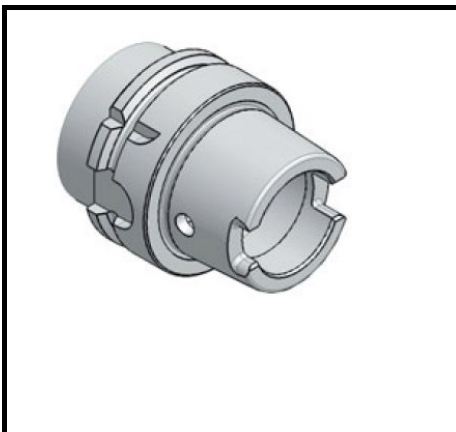


Stop screw

Art.-Nr.	d	M
368100	ø6	M 8x1
369100	ø8	M 8x1
370100-2	ø10	M 8x1

HSK - A

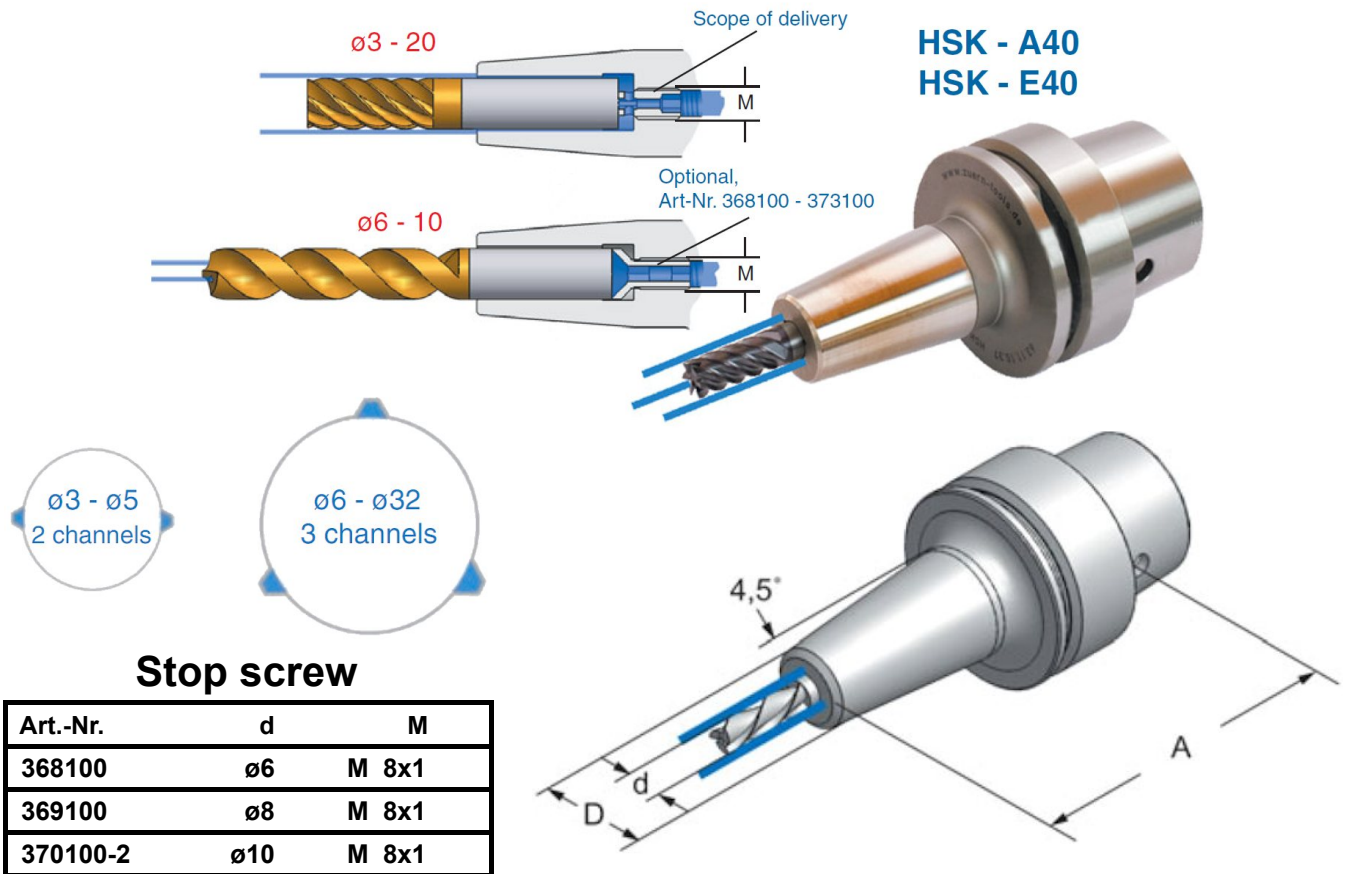
HSK - A 40



Art.-Nr.	Type	A	d	D	M
40.11.03.37	HSK-A40x03SCx65	65	3	10	M6
40.11.04.37	HSK-A40x04SCx65	65	4	11	M6
40.11.05.37	HSK-A40x05SCx65	65	5	14	M8x1
40.11.06.37	HSK-A40x06SCx65	65	6	21	M8x1
40.11.08.37	HSK-A40x08SCx65	65	8	21	M8x1
40.11.10.37	HSK-A40x10SCx65	65	10	24	M8x1
40.11.12.37	HSK-A40x12SCx70	70	12	24	M8x1
40.11.16.37	HSK-A40x16SCx75	75	16	27	M8x1
40.11.20.37	HSK-A40x20SCx75	75	20	27	M8x1

We reserve the right to make technical changes.

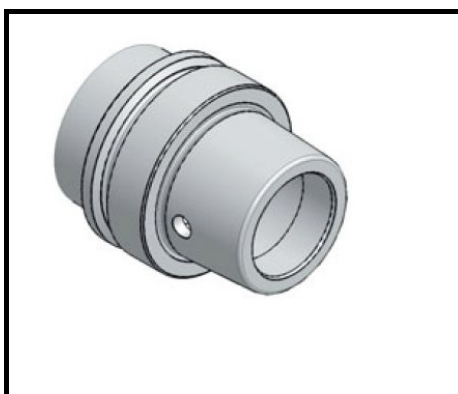
Shrinking chucks POWER-FASH high-speed DIN 69882-8



Stop screw

Art.-Nr.	d	M
368100	ø6	M 8x1
369100	ø8	M 8x1
370100-2	ø10	M 8x1

HSK - E



HSK - E 40

Art.-Nr.	Type	A	d	D	M
40.12.03.37	HSK-E40x03SCx65	65	3	10	M6
40.12.04.37	HSK-E40x04SCx65	65	4	11	M6
40.12.05.37	HSK-E40x05SCx65	65	5	14	M8x1
40.12.06.37	HSK-E40x06SCx65	65	6	21	M8x1
40.12.08.37	HSK-E40x08SCx65	65	8	21	M8x1
40.12.10.37	HSK-E40x10SCx65	65	10	24	M8x1
40.12.12.37	HSK-E40x12SCx70	70	12	24	M8x1
40.12.16.37	HSK-E40x16SCx75	75	16	27	M8x1

We reserve the right to make technical changes.