



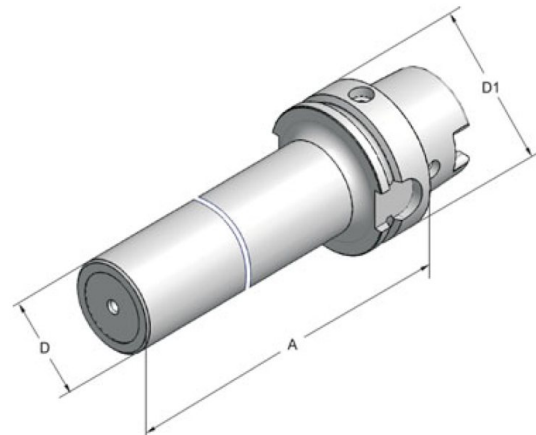
Toolholders with HSK-tapers shank DIN 69893-1

Control arbors in wooden case

Concentricity < 0.005



HSK - A



HSK - A 40

	Art.-Nr.	Type	D1	A	D
	40.11.180	HSK-A40xø24x180	40	180	24
	HSK - A 50				
	50.11.225	HSK-A50xø32x225	50	225	32
	HSK - A 63				
	63.11.345	HSK-A63xø40x345	63	345	40
HSK - A 100					
100.11.300	HSK-A100xø50x300	100	300	50	

HSK - E

HSK - E 40

	Art.-Nr.	Type	D1	A	D
	40.12.180	HSK-E40xø24x180	40	180	24
	HSK - E 50				
	50.12.225	HSK-E50xø32x225	50	225	32

HSK - F

HSK - F 63

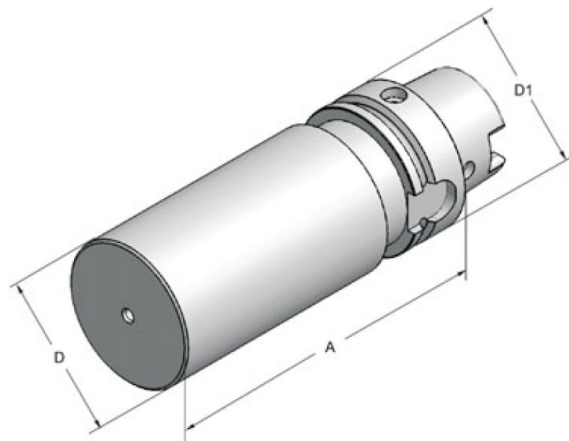
	Art.-Nr.	Type	D1	A	D
	63.13.345	HSK-F63xø40x345	63	345	40

We reserve the right to make technical changes.

Toolholders with HSK-tapers shank DIN 69893-1

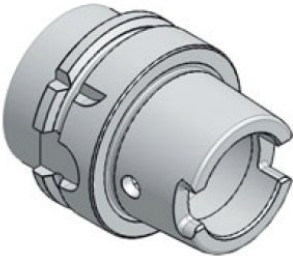
Blanks

Special size on inquiry !




HSK - A

HSK - A 40

	Art.-Nr.	Type	D1	A	D
	40.11.120.15	HSK-A40x44x120	40	120	44
	HSK - A 50				
	50.11.150.15	HSK-A50x50x150	50	150	50
	HSK - A 63				
	63.11.200.15	HSK-A63x64x200	63	200	64

HSK - E

HSK - E 40

	Art.-Nr.	Type	D1	A	D
	40.12.120.15	HSK-E40x44x120	40	120	44
	HSK - E 50				
	50.12.150.15	HSK-E50x50x150	50	150	50
	HSK - E 63				
	HSK - E 80				

We reserve the right to make technical changes.