

Toolholders with HSK-tapers shank DIN 69893-1

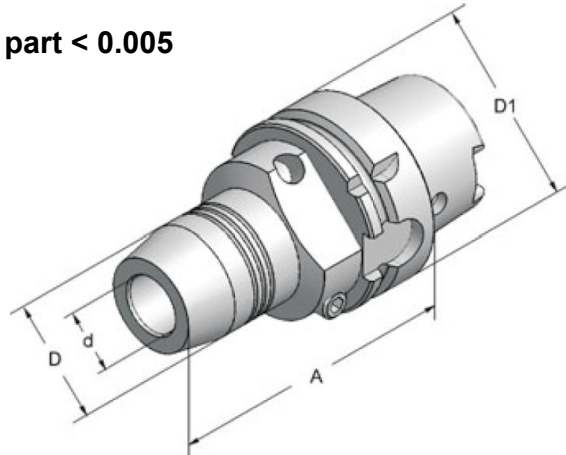
Expansion chucks DIN 69882-7

Concentricity from the taper to the holding part < 0.005

Base-body balanced, G 2.5 - 25,000 r.p.m.



HSK - A



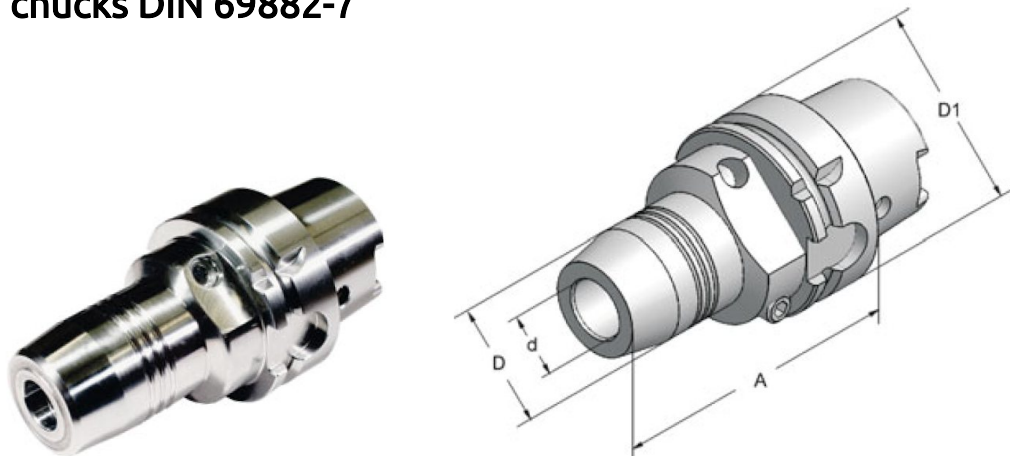
HSK - A 40



Art.-Nr.	Type	D1	A	d	D
40.11.06.70	HSK-A40x06x80	40	80	6	26
40.11.08.70	HSK-A40x08x80	40	80	8	28
40.11.10.70	HSK-A40x10x85	40	85	10	30
40.11.12.70	HSK-A40x12x90	40	90	12	32
HSK - A 50					
50.11.06.70	HSK-A50x06x70	50	70	6	26
50.11.08.70	HSK-A50x08x70	50	70	8	28
50.11.10.70	HSK-A50x10x75	50	75	10	30
50.11.12.70	HSK-A50x12x85	50	85	12	32
50.11.16.70	HSK-A50x16x90	50	90	16	38
50.11.20.70	HSK-A50x20x90	50	90	20	42
HSK - A 63					
63.11.06.70	HSK-A63x06x 70	63	70	6	26
63.11.08.70	HSK-A63x08x 70	63	70	8	28
63.11.10.70	HSK-A63x10x 80	63	80	10	30
63.11.12.70	HSK-A63x12x 85	63	85	12	32
63.11.14.70	HSK-A63x14x 85	63	85	14	34
63.11.16.70	HSK-A63x16x 90	63	90	16	38
63.11.18.70	HSK-A63x18x 90	63	90	18	40
63.11.20.70	HSK-A63x20x 90	63	90	20	42
63.11.20.71	HSK-A63x20x 80	63	80	20	52.5
63.11.25.70	HSK-A63x25x120	63	120	25	57
63.11.32.70	HSK-A63x32x125	63	125	32	64


We reserve the right to make technical changes.

Expansion chucks DIN 69882-7




HSK - C

HSK - C 40

	Art.-Nr.	Type	D1	A	d	D	
	40.14.06.70	HSK-C40x06x60	40	60	6	26	
	40.14.08.70	HSK-C40x08x60	40	60	8	28	
	40.14.10.70	HSK-C40x10x65	40	65	10	30	
	40.14.12.70	HSK-C40x12x70	40	70	12	32	
	HSK - C 50						
	50.14.06.70	HSK-C50x06x60	50	60	6	26	
	50.14.08.70	HSK-C50x08x60	50	60	8	28	
	50.14.10.70	HSK-C50x10x65	50	65	10	30	
	50.14.12.70	HSK-C50x12x75	50	75	12	32	
	50.14.16.70	HSK-C50x16x80	50	80	16	38	
	50.14.20.70	HSK-C50x20x80	50	80	20	42	

HSK - E

HSK - E 40

	Art.-Nr.	Type	D1	A	d	D	
	40.12.06.70	HSK-E40x06x70	40	70	6	26	
	40.12.08.70	HSK-E40x08x70	40	70	8	26	
	40.12.10.70	HSK-E40x10x75	40	75	10	30	
	40.12.12.70	HSK-E40x12x80	40	80	12	32	
	HSK - E 50						
	50.12.06.70	HSK-E50x06x70	50	70	6	26	
	50.12.08.70	HSK-E50x08x70	50	70	8	28	
	50.12.10.70	HSK-E50x10x75	50	75	10	30	
	50.12.12.70	HSK-E50x12x85	50	85	12	32	
	50.12.16.70	HSK-E50x16x90	50	90	16	38	
	50.12.20.70	HSK-E50x20x90	50	90	20	42	

We reserve the right to make technical changes.

Sleeves



ø12

ø20

ø32

Art.-Nr.	Type	Art.-Nr.	Type	Art.-Nr.	Type
204370	GZB-S 12/03	203197	GZB-S 20/03	204320	GZB-S 32/06
204371	GZB-S 12/04	203198	GZB-S 20/04	204321	GZB-S 32/08
204372	GZB-S 12/05	203199	GZB-S 20/05	204322	GZB-S 32/10
204373	GZB-S 12/06	203200	GZB-S 20/06	204323	GZB-S 32/12
204374	GZB-S 12/08	203201	GZB-S 20/08	204324	GZB-S 32/14
204375	GZB-S 12/10	203202	GZB-S 20/10	204325	GZB-S 32/16
		203203	GZB-S 20/12	204326	GZB-S 32/18
		203204	GZB-S 20/14	204327	GZB-S 32/20
		203205	GZB-S 20/16	204328	GZB-S 32/25

We reserve the right to make technical changes.