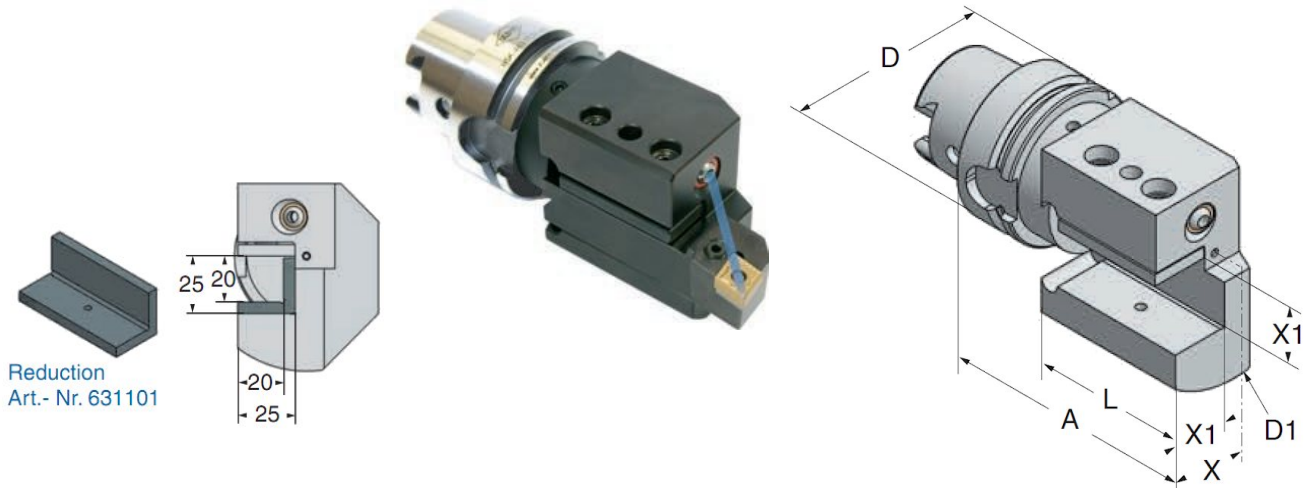




Toolholders with HSK-tapers shank ISO 12164-3

HSK-T single turning toolholder

Delivery without tool

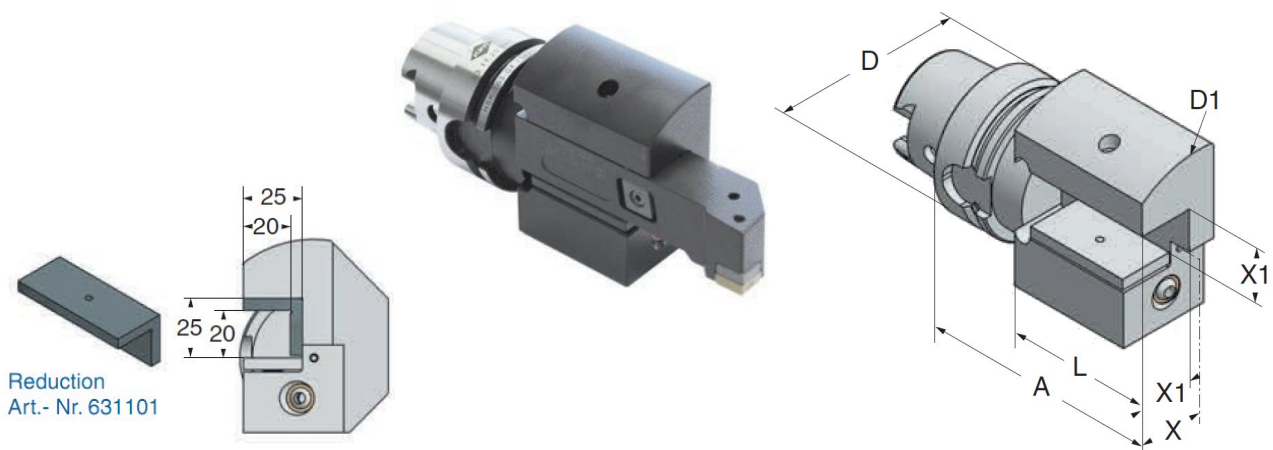


HSK - T 63

Art.-Nr.	D	D1	A	L	X	X1
63.11.25.050	63	100	110	68	30	25
631101	Reduction 25/20x60					

HSK-T single turning toolholder

Delivery without tool



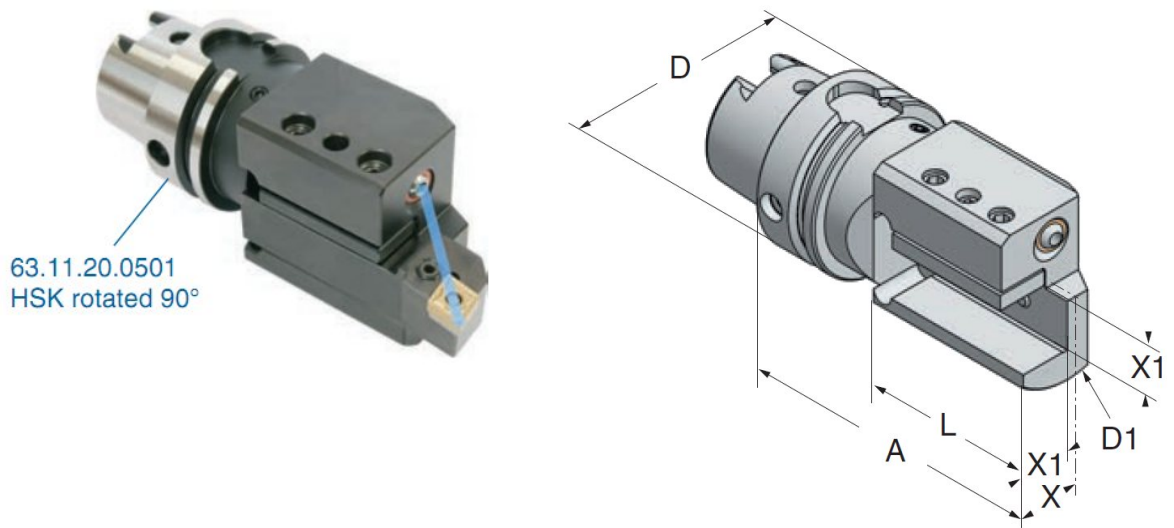
HSK - T 63

Art.-Nr.	D	D1	A	L	X	X1
63.11.25.040	63	100	110	68	30	25
631101	Reduction 25/20x60					

We reserve the right to make technical changes.

HSK-T single turning toolholder

Delivery without tool

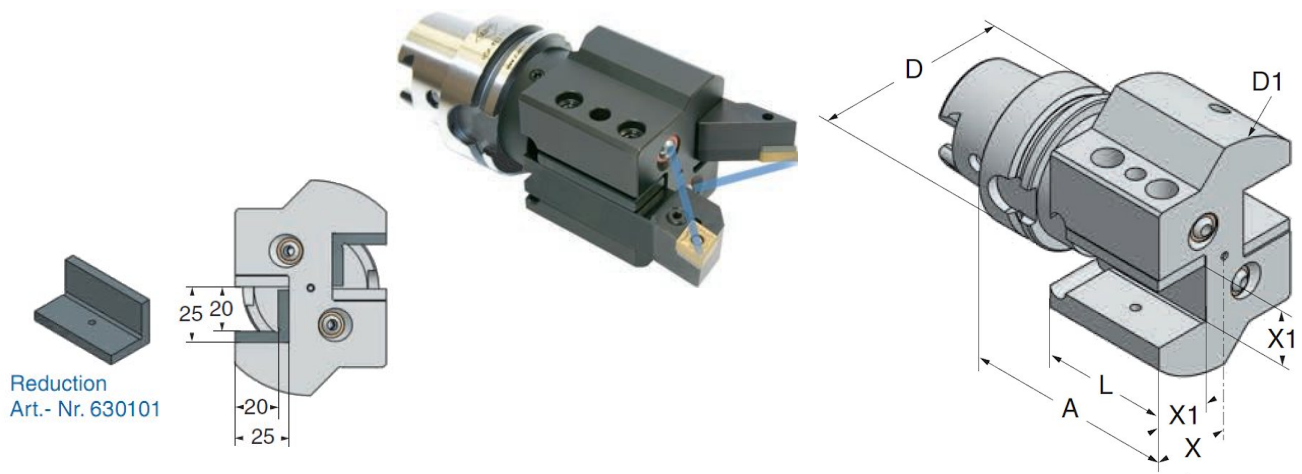


HSK - T 63

Art.-Nr.	D	D1	A	L	X	X1
63.11.20.0501	63	65	110	68	20	20

HSK-T double turning toolholder

Delivery without tools



HSK - T 63

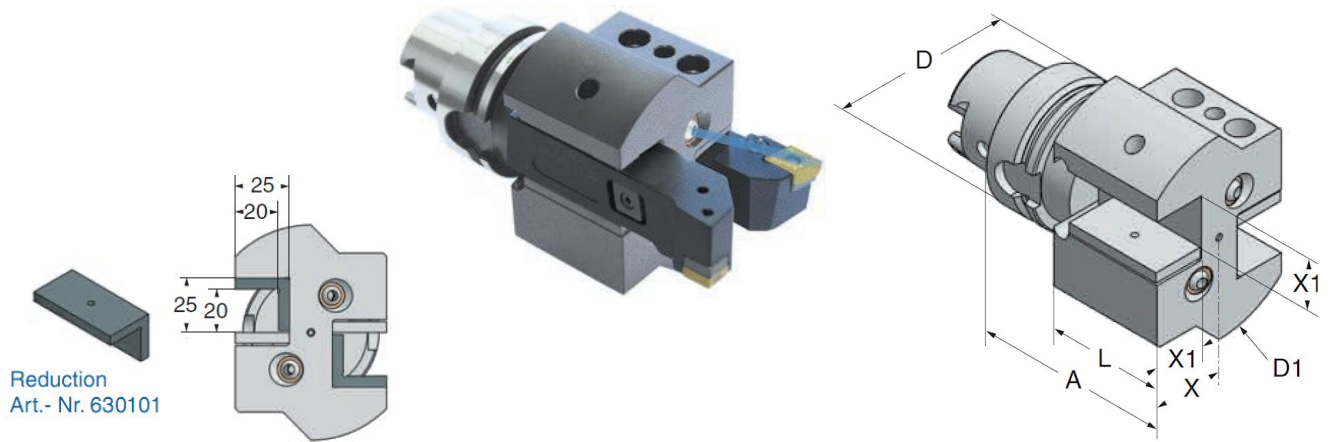
Art.-Nr.	D	D1	A	L	X	X1
63.11.25.151	63	100	100	58	35	25
630101	Reduction 25/20x50					

We reserve the right to make technical changes.

Toolholders with HSK-tapers shank ISO 12164-3

HSK-T double turning toolholder

Delivery without tools

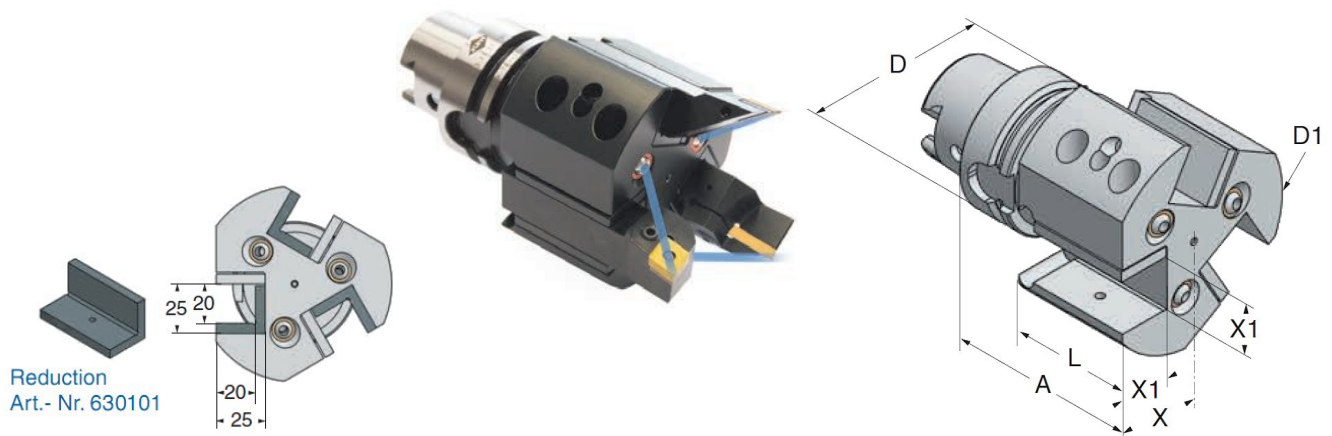


HSK - T 63

Art.-Nr.	D	D1	A	L	X	X1
63.11.25.171	63	100	100	58	35	25
630101	Reduction 25/20x50					

HSK-T triple turning toolholder

Delivery without tools



HSK - T 63

Art.-Nr.	D	D1	A	L	X	X1
63.11.25.190	63	100	100	58	40	25
630101	Reduction 25/20x50					

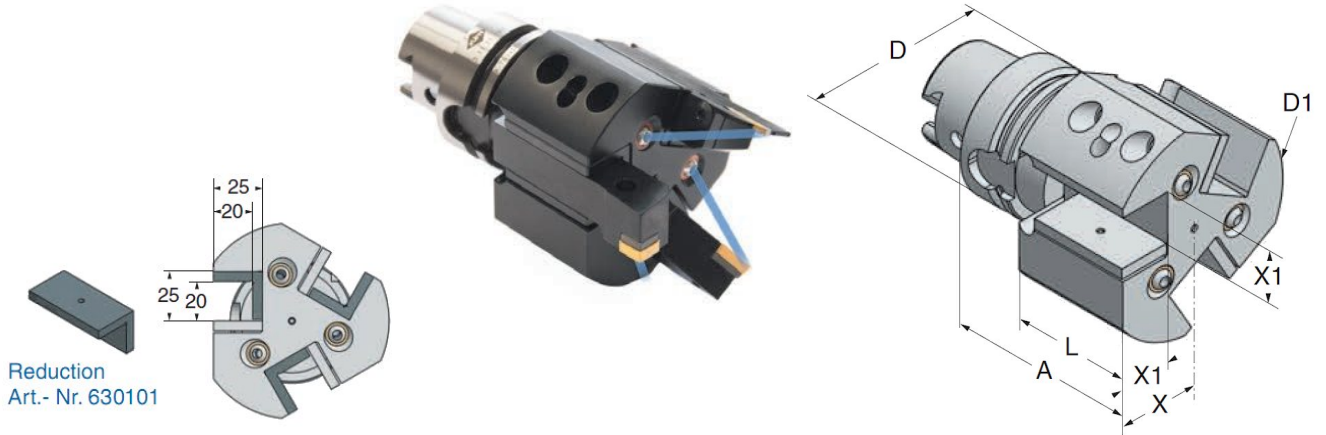
HSK - A 100

100.11.25.190	100	100	125	80	40	25
---------------	-----	-----	-----	----	----	----

We reserve the right to make technical changes.

HSK-T triple turning toolholder

Delivery without tools



HSK - T 63

Art.-Nr.	D	D1	A	L	X	X1
63.11.25.180	63	100	100	58	40	25
630101	Reduction 25/20x50					

HSK - A 100

100.11.25.180	100	100	125	80	40	25
---------------	-----	-----	-----	----	----	----

We reserve the right to make technical changes.