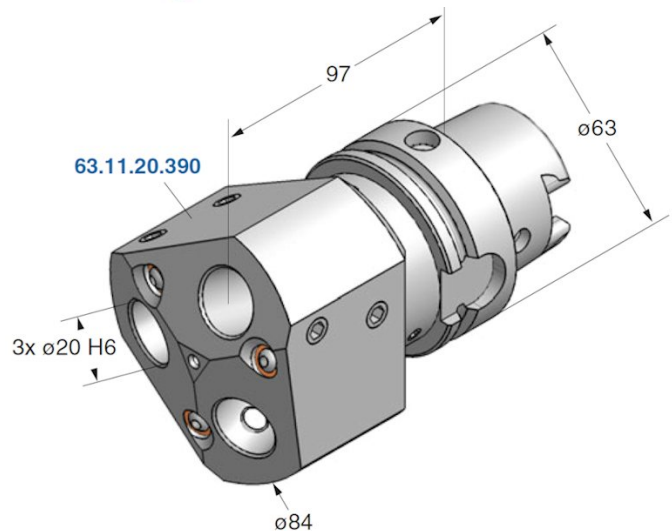
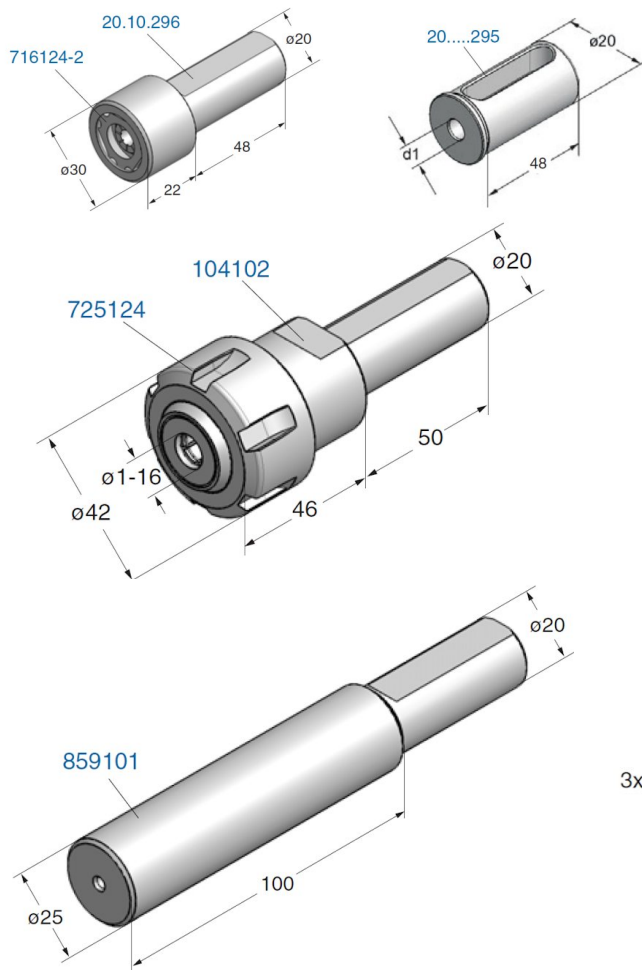




Toolholders with HSK-tapers shank ISO 12164-3

HSK-T triple boring bar holder - 3x ø20

Delivery without tools



HSK - T 63

Reduction bush

Art.-Nr.	Type	Art.-Nr.	D1
63.11.20.390	HSK-T63x20x97	20.06.295	6
859101	Control arbor ø20xø25x100	20.08.295	8
		20.10.295	10
20.10.296	Collet chuck ER16 ø1-10	20.12.295	12
716124-2	Clamping nut for sealing disc 316 . . .	20.16.295	16
916160-Z2	Key		
104102	Collet chuck ER25 ø1-16		
725124	Clamping nut for sealing disc 325 . . .		

We reserve the right to make technical changes.