

ISO Taper-toolholders **BT-P**

Shrinking chucks without coolant channels

Concentricity from the taper to the holding part < 0.005

BT-P30 G 2.5 - 25,000 U/min. or U < 1 gmm

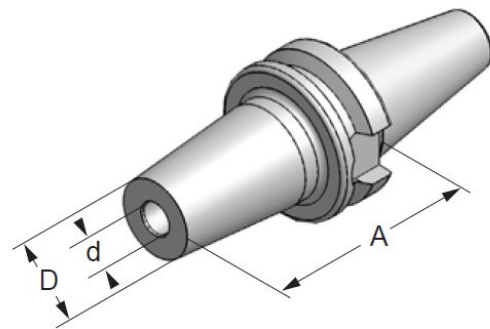
BT-P40 G 2.5 - 20,000 U/min. or U < 1 gmm



MAS BT-P with flange contact



BT-P30



BT-P40

Art.-Nr.	Type	A	d	D	Art.-Nr.	Type	A	d	D
30.06.03.31	BT-P30x03Sx70-AD	70	3	10					
30.06.04.31	BT-P30x04Sx70-AD	70	4	11					
30.06.05.31	BT-P30x05Sx70-AD	70	5	14					
30.06.06.31	BT-P30x06Sx70-AD	70	6	21	40.06.06.31	BT-P40x06Sx90-AD	90	6	21
30.06.08.31	BT-P30x08Sx70-AD	70	8	21	40.06.08.31	BT-P40x08Sx90-AD	90	8	21
30.06.10.31	BT-P30x10Sx70-AD	70	10	24	40.06.10.31	BT-P40x10Sx90-AD	90	10	24
30.06.12.31	BT-P30x12Sx70-AD	70	12	24	40.06.12.31	BT-P40x12Sx90-AD	90	12	24
30.06.14.31	BT-P30x14Sx70-AD	70	14	27	40.06.14.31	BT-P40x14Sx90-AD	90	14	27
30.06.16.31	BT-P30x16Sx70-AD	70	16	27	40.06.16.31	BT-P40x16Sx90-AD	90	16	27
30.06.20.31	BT-P30x20Sx70-AD	70	20	33	40.06.20.31	BT-P40x20Sx90-AD	90	20	33

We reserve the right to make technical changes.

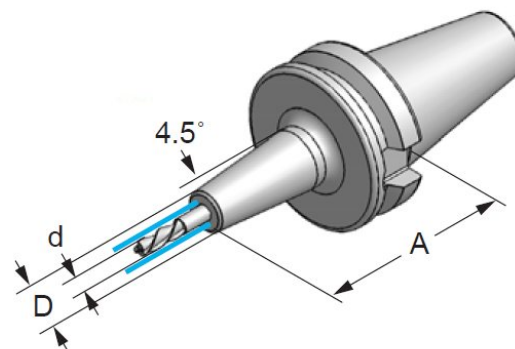
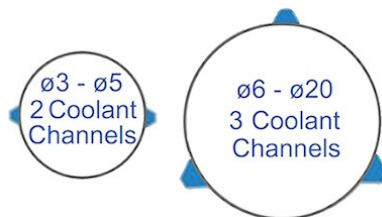
Shrinking chucks **POWER-FLASH** high speed

Concentricity from the taper to the holding part < 0.005

Best possible coolant supply through coolant channels in the boring

BT-P30 G 2.5 - 25,000 U/min. or U < 1 gmm

Delivery without tool



BT-P30

Art.-Nr.	Type	A	d	D	
30.06.03.37	BT-P30x03SCx70-AD	70	3	10	
30.06.04.37	BT-P30x04SCx70-AD	70	4	11	
30.06.05.37	BT-P30x05SCx70-AD	70	5	14	
30.06.06.37	BT-P30x06SCx70-AD	70	6	21	
30.06.08.37	BT-P30x08SCx70-AD	70	8	21	
30.06.10.37	BT-P30x10SCx70-AD	70	10	24	
30.06.12.37	BT-P30x12SCx70-AD	70	12	24	
30.06.16.37	BT-P30x16SCx70-AD	70	16	27	
30.06.20.37	BT-P30x20SCx70-AD	70	20	33	

We reserve the right to make technical changes.