



Collet chuck MAS BT30 radially adjustable

Collet chuck for collets DIN 6499 (ER/ESX) + ETS16

µm-tool

Adjustable with 4 screws



0-2 µm

Standard-toolholder



10-30 µm

Function:

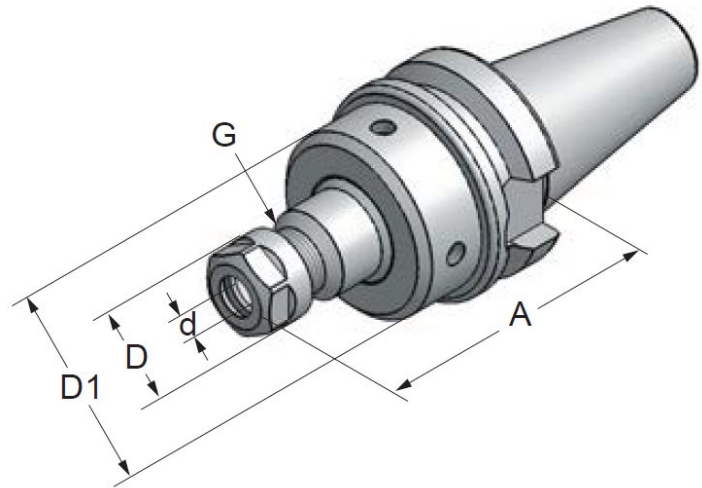
The run-out error of the tool must be determined and the clamping ring with screw must be brought in position. Screw must be tightened until run-out error is 0 - after that the remaining screws can be tightened.

We reserve the right to make technical changes.

Collet chuck MAS BT30 radially adjustable

DIN 6499 - ER/ESX11 (ø1-7)

Delivery without collet

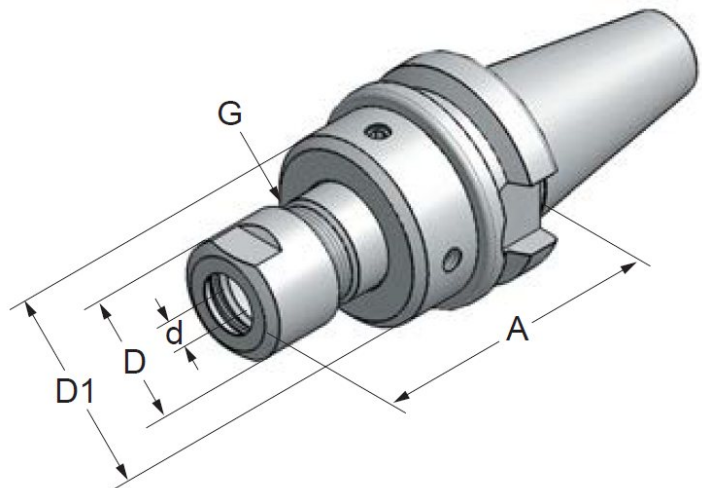


MAS BT 30

Art.-Nr.	Type	A	d	D	D1	G
30.05.07.28	BT30xER11x70-AD incl. Collet ER11	70	1-7	19	40	M14x0.75

DIN 6499 - ER/ESX16 (ø1-10)

Delivery without collet



MAS BT 30

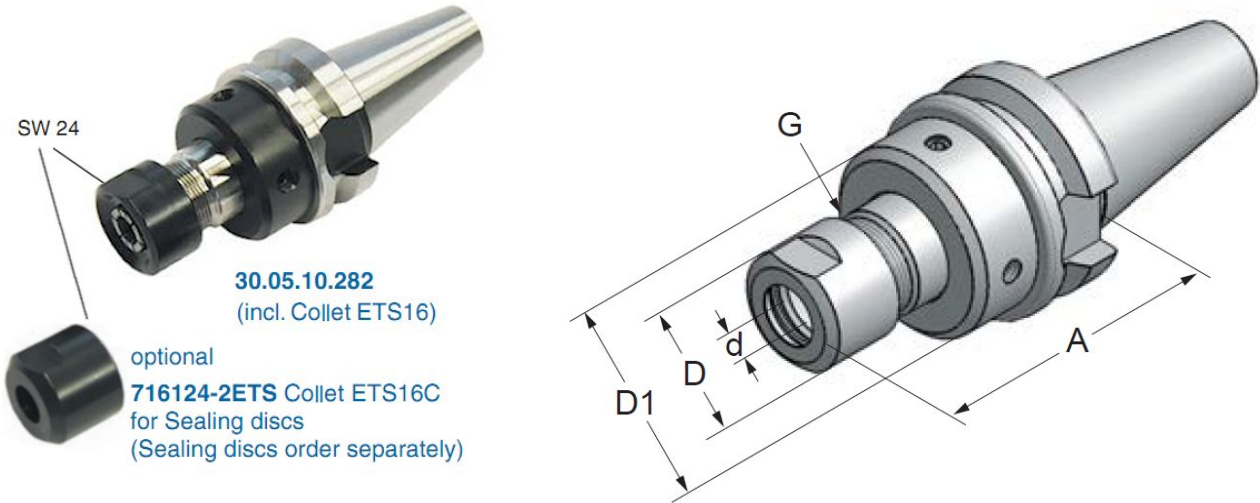
Art.-Nr.	Type	A	d	D	D1	G
30.05.10.28	BT30xER16x70-AD incl. Collet ER16	70	1-10	25	40	M20x1
716124-2	Collet ER16C for Sealing discs		1-10	25		M20x1

We reserve the right to make technical changes.

Collet chuck MAS BT30 radially adjustable

ETS16 (ø1-10)

Delivery without collet



MAS BT 30

Art.-Nr.	Type	A	d	D	D1	G
30.05.10.282	BT30xETS16mx70-AD incl. Collet ETS16	70	1-10	27	40	M20x1
716124-2ETS	Collet ETS16C for Sealing discs		1-10	27		M20x1

Wrench



Art.-Nr.	Type
916162	Wrench SW 22 for ER16 + ER 16C
916163	Wrench SW 24 for ETS16 + ETS 16C

Sealing Discs for ER16C / ETS16C



Art.-Nr.	d1
316030	ø3 - 2
316040	ø4 - 3
316050	ø5 - 4
316060	ø6 - 5
316070	ø7 - 6
316080	ø8 - 7
316090	ø9 - 8
316100	ø10-9

We reserve the right to make technical changes.