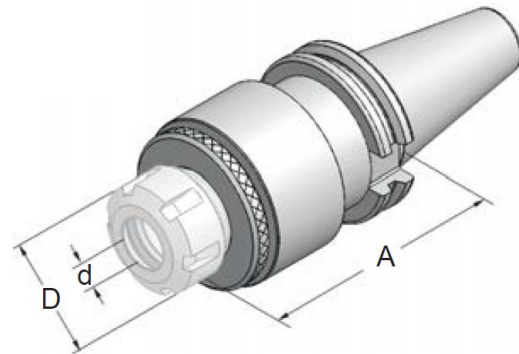


ISO Taper-toolholders Floating holders & inserts

Floating holders with compensation adjustment parallel to the axis, with interchangeable cartridges

Delivery without insert



Picture with insert 101101 ER25

DIN 69871

MAS BT

Art.-Nr.	Type	A	d	D	Art.-Nr.	Type	A	d	D
40.01.70.350	SK40-AD+B	105	2-16	42	40.05.70.350	BT40-AD+B	105	2-16	42
50.01.70.350	SK50-AD+B	105	2-16	42	50.05.70.350	BT50-AD+B	105	2-16	42

We reserve the right to make technical changes.

Inserts for floating holder



Collet Holder



Cylindrical Shank



MK 2

Art.-Nr.	Type	Art.-Nr.	Type	Art.-Nr.	Type
101101	ER 25/430E	105101	Insert B \varnothing 16	109101	C-MK2
102101	DA180/419E	107101	Insert B \varnothing 20		
		108101	Insert B \varnothing 25		

We reserve the right to make technical changes.