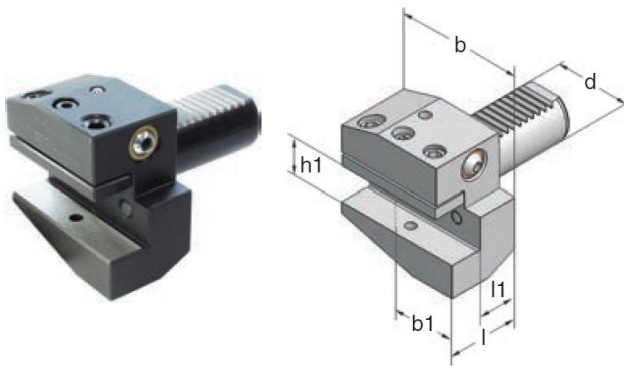


**Toolholders for CNC machines DIN 69880 / DIN ISO 10889**

**Radial toolholders form B1 short**

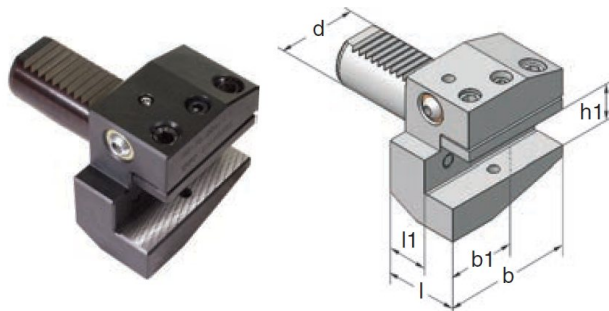
Coolant supply external



Art.-Nr.	Type	d	b	b1	h1	l	l1
16.12.060	B1-16x12x24	16	42	23	12	24	13
20.16.060	B1-20x16x30	20	55	30	16	30	16
25.16.060	B1-25x16x30	25	55	30	16	30	16
30.20.060	B1-30x20x40	30	70	35	20	40	22
30.25.060	B1-30x25x44	30	70	35	25	44	22
40.25.060	B1-40x25x44	40	85	42.5	25	44	22
50.32.060	B1-50x32x55	50	100	50	32	55	30
60.32.060	B1-60x32x60	60	125	62.5	32	60	30
<b>INCH</b>							
307206	B1-30x3/4"x40	30	70	35	3/4"	40	22
343206	B1-30x1" x44	30	70	35	1"	44	22
407206	B1-40x1" x44	40	85	42.5	1"	44	22
507206	B1-50x1 1/4"x55	50	100	50	1 1/4"	55	30

**Radial toolholders form B2 short**

Coolant supply external

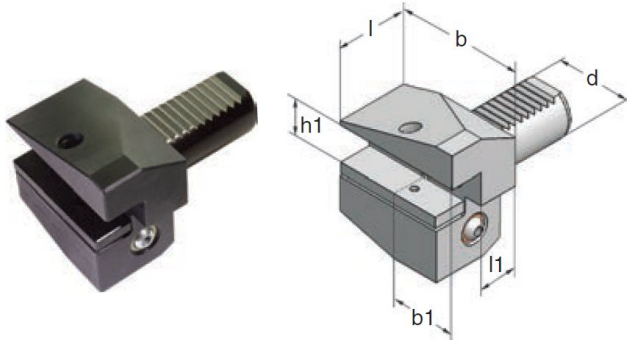


Art.-Nr.	Type	d	b	b1	h1	l	l1
16.12.090	B2-16x12x24	16	42	23	12	24	13
20.16.090	B2-20x16x30	20	55	30	16	30	16
25.16.090	B2-25x16x30	25	55	30	16	30	16
30.20.090	B2-30x20x40	30	70	35	20	40	22
30.25.090	B2-30x25x44	30	70	35	25	44	22
40.25.090	B2-40x25x44	40	85	42.5	25	44	22
50.32.090	B2-50x32x55	50	100	50	32	55	30
60.32.090	B2-60x32x60	60	125	62.5	32	60	30
<b>INCH</b>							
308206	B2-30x3/4"x40	30	70	35	3/4"	40	22
344206	B2-30x1" x44	30	70	35	1"	44	22
408206	B2-40x1" x44	40	85	42.5	1"	44	22
508206	B2-50x1 1/4"x55	50	100	50	1 1/4"	55	30

We reserve the right to make technical changes.

## Radial toolholders form B3 short

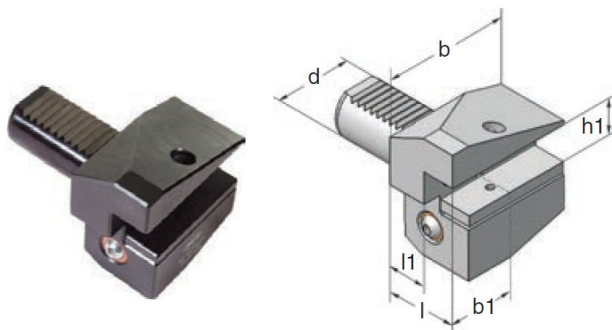
Coolant supply external



Art.-Nr.	Type	d	b	b1	h1	l	l1
16.12.070	B3-16x12x24	16	42	23	12	24	13
20.16.070	B3-20x16x30	20	55	30	16	30	16
25.16.070	B3-25x16x30	25	55	30	16	30	16
30.20.070	B3-30x20x40	30	70	35	20	40	22
30.25.070	B3-30x25x44	30	70	35	25	44	22
40.25.070	B3-40x25x44	40	85	42.5	25	44	22
50.32.070	B3-50x32x55	50	100	50	32	55	30
60.32.070	B3-60x32x60	60	125	62.5	32	60	30
<b>INCH</b>							
309206	B3-30x3/4"x40	30	70	35	3/4"	40	22
345206	B3-30x1" x44	30	70	35	1"	44	22
409206	B3-40x1" x44	40	85	42.5	1"	44	22
509206	B3-50x1 1/4"x55	50	100	50	1 1/4"	55	30

## Radial toolholders form B4 short

Coolant supply external



Art.-Nr.	Type	d	b	b1	h1	l	l1
16.12.080	B4-16x12x24	16	42	23	12	24	13
20.16.080	B4-20x16x30	20	55	30	16	30	16
25.16.080	B4-25x16x30	25	55	30	16	30	16
30.20.080	B4-30x20x40	30	70	35	20	40	22
40.25.080	B4-40x25x44	40	85	42.5	25	44	22
50.32.080	B4-50x32x55	50	100	50	32	55	30
60.32.080	B4-60x32x60	60	125	62.5	32	60	30
<b>INCH</b>							
310206	B4-30x3/4"x40	30	70	35	3/4"	40	22
410206	B4-40x1" x44	40	85	42.5	1"	44	22
510206	B4-50x1 1/4"x55	50	100	50	1 1/4"	55	30

We reserve the right to make technical changes.