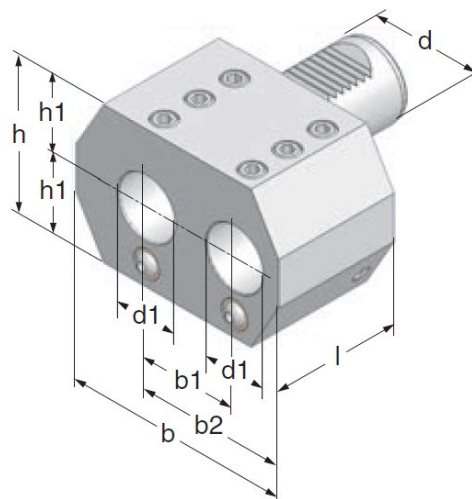


Toolholders for CNC machines DIN 69880 / DIN ISO 10889

Boring bar holders form E7 / E8

Coolant supply internal + external



Art.-Nr.	Type	d	d1	b	b1	b2	h	l
30.25.2903	E7+E8-30Dx25x56	30	25	95	45	65	64	56
40.32.2903	E7+E8-40Dx32x66	40	32	115	50	75	78	66
50.50.2903	E7+E8-50Dx50x90	50	50	154	70	105	98	90

We reserve the right to make technical changes.