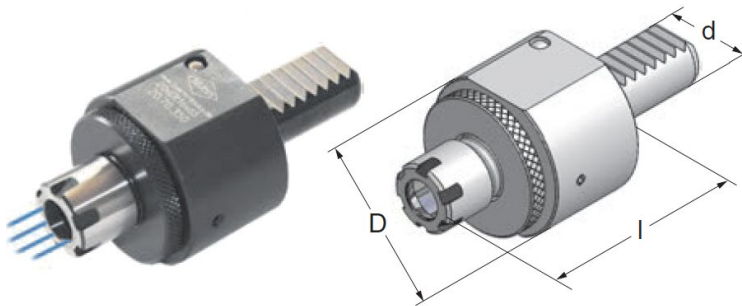


Toolholders for CNC machines DIN 69880 / DIN ISO 10889

Floating holders, axially parallel
compensating, adjustable **VDI 16, 20, 25**
for collets ER16/426E \varnothing 1-10

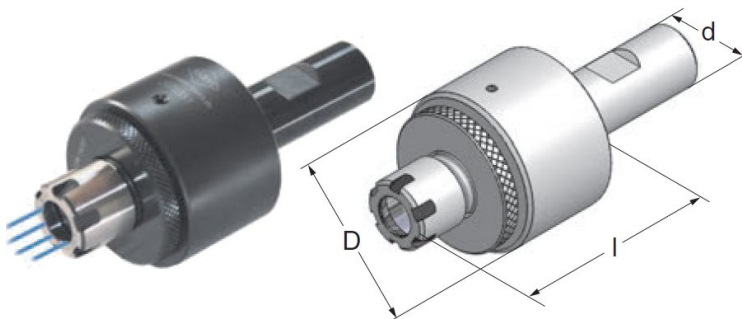


Art.-Nr.	Type	d	D	l
16.70.350	VDI16xER16x67	16	50	67
20.70.360	VDI20xER16x63	20	50	63
25.70.350	VDI25xER16x65	25	58	65

Coolant supply internal

Delivery **including** insert + clamping nut

Cylindrical shank



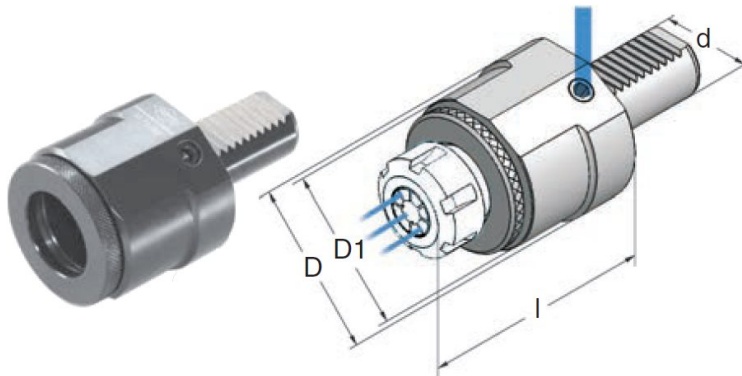
Art.-Nr.	Type	d	D	l
20.70.351	zyl.20xER16mx63	20	50	63
INCH				
3/4.70.351	zyl.3/4"xER16mx63	19.05	50	63

Coolant supply internal

Delivery **including** insert + clamping nut

We reserve the right to make technical changes.

Floating holders, axially parallel compensating, **VDI 30, 40, 50** for adjustable inserts



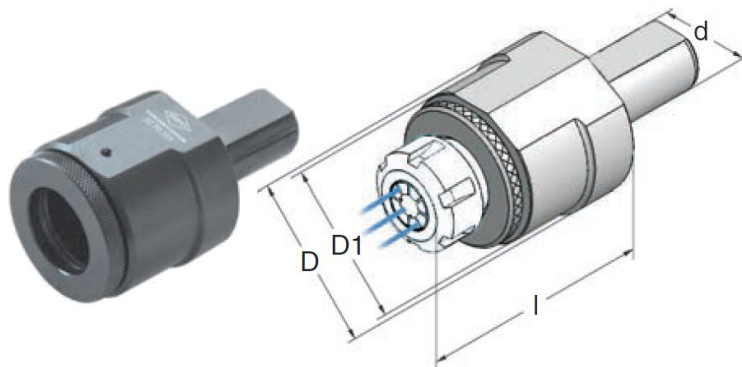
Art.-Nr.	Type	d	D	D1
30.70.350	VDI 30	30	68	64
40.70.350	VDI 40	40	83	64
50.70.350	VDI 50	50	98	64

Coolant supply internal /
coolant connection external

Delivery **excluding** insert + clamping nut

Cylindrical shank

The insert has to be ordered separately !



Art.-Nr.	Type	d	D	D1
32.70.351	Cylindrical shank	32	68	64

Coolant supply internal

Delivery **excluding** insert + clamping nut

Inserts for floating holder



Art.-Nr.	Type	d1	l
101101	Insert ER25	1-16	90
102101	Insert DA180	2-20	95
Art.-Nr. 101101 + 102101 incl. clamping nut			
103101	Insert B-12	12	76
104101	Insert B-15	15	76
105101	Insert B-16	16	81
106101	Insert B-18	18	81
107101	Insert B-20	20	81
108101	Insert B-25	25	90

We reserve the right to make technical changes.