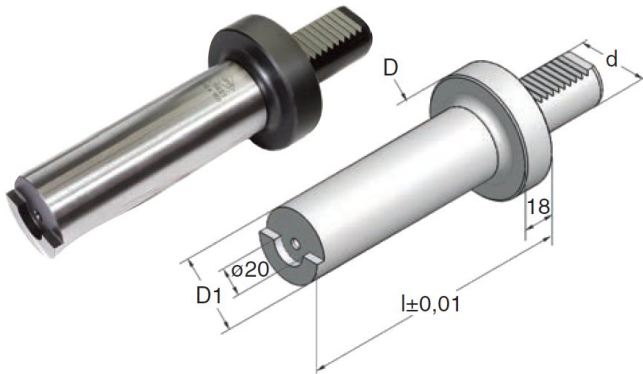


Toolholders for CNC machines DIN 69880 / DIN ISO 10889

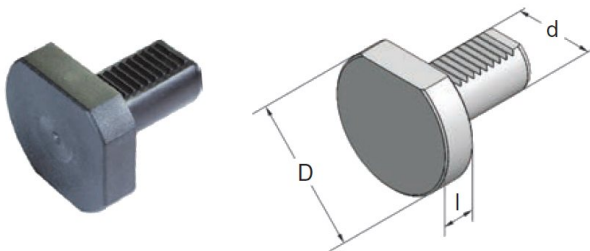
Test arbors

in wooden case



Art.-Nr.	Type	d	D	D1	l
16.100.01	VDI16x40x100	16	40	40	100
20.100.01	VDI20x40x100	20	50	40	100
25.125.01	VDI25x40x125	25	58	40	125
30.150.01	VDI30x40x150	30	68	40	150
40.150.01	VDI40x40x150	40	83	40	150
50.200.01	VDI50x50x200	50	98	50	200
60.200.01	VDI60x50x200	60	125	50	200

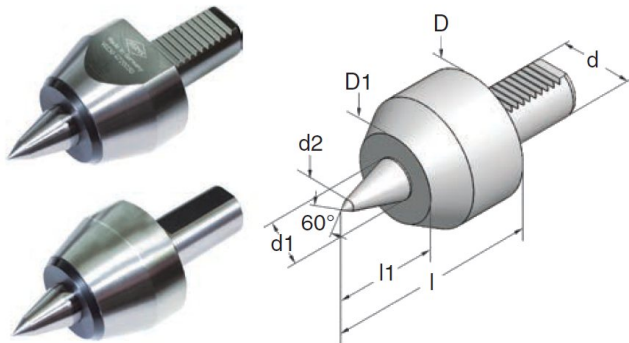
Blind toolings bore form Z2



Art.-Nr.	Type	d	D	l
16.00.500	Z2-16 Plastic	16	40	16
20.00.500	Z2-20 Plastic	20	50	16
25.00.500	Z2-25 Plastic	25	58	16
30.00.500	Z2-30 Plastic	30	68	20
40.00.500	Z2-40 Plastic	40	83	20
50.00.500	Z2-50 Plastic	50	98	20
60.00.500	Z2-60 Plastic	60	123	20
20.00.500-S	Z2-20 Steel	20	50	16
30.00.500-S	Z2-30 Steel	30	68	20
40.00.500-S	Z2-40 Steel	40	83	20
50.00.500-S	Z2-50 Steel	50	98	20
60.00.500-S	Z2-60 Steel	60	123	20

We reserve the right to make technical changes.

Driver centering point,
spring mounted



Art.-Nr.	Type	d	d1	d2	D	D1	l	l1
4720020	VDI20x60°x 73	20	18	6	50	41	73	42
4720030	VDI30x60°x 88	30	22	11	68	47	88	51
4720040	VDI40x60°x111	40	32	16	83	56	111	63
Cylinder Shaft								
25.10.6000	zyl.25x60°x 86	25	22	11	54	44	86	36

We reserve the right to make technical changes.