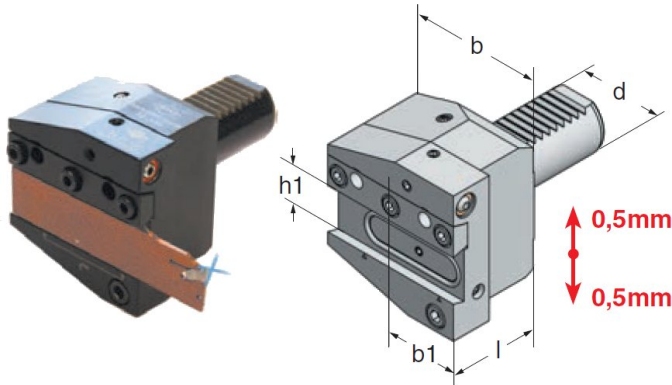


Toolholders for CNC machines DIN 69880 / DIN ISO 10889

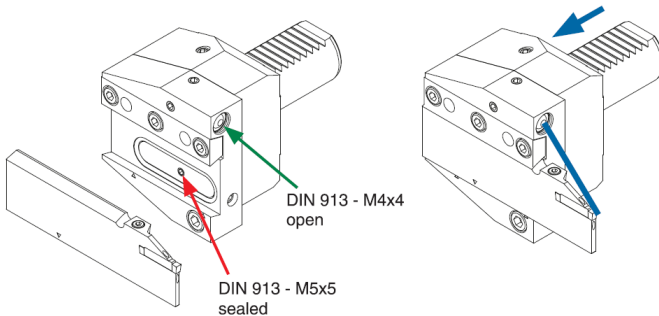
Toolholders for cut off tools adjustable in height $\pm 0.5\text{mm}$ right

Delivery without tool

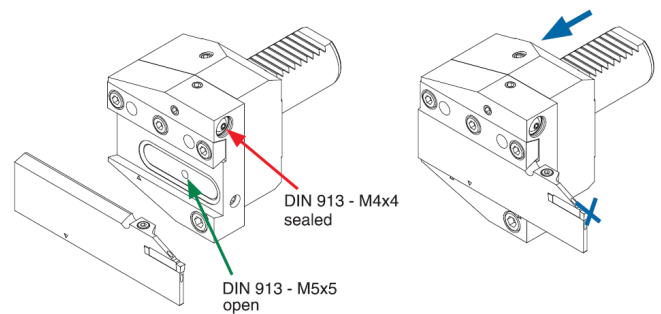


Art.-Nr.	Type	d	b	b1	l	h1
30.26.480	VDI30x26x50-r	30	65	35	50	26
30.32.480	VDI30x32x50-r	30	65	35	50	32
40.26.480	VDI40x26x50-r	40	85	42.5	50	26
40.32.480	VDI40x32x50-r	40	85	42.5	50	32
50.26.480	VDI50x26x50-r	50	100	50	50	26
50.32.480	VDI50x32x50-r	50	100	50	50	32
60.32.480	VDI60x32x60-r	60	100	62.5	60	32

Version 1 Coolant supply with swivelling coolant nozzle

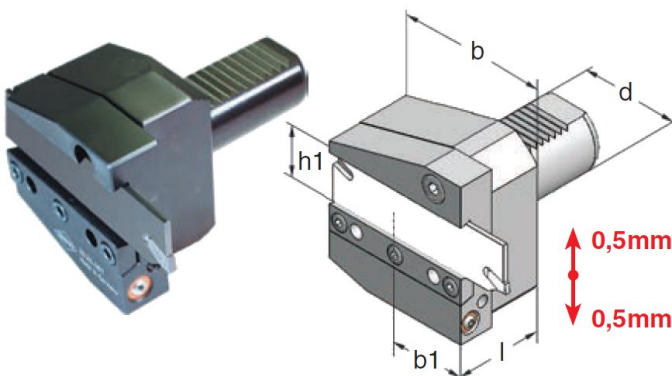


Version 2 Coolant supply internal through the infeed toolholder



Toolholders for cut off tools adjustable in height $\pm 0.5\text{mm}$ overhead right

Delivery without tool

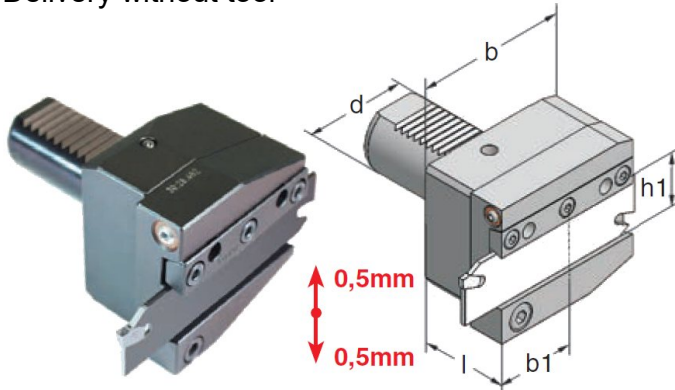


Art.-Nr.	Type	d	b	b1	l	h1
30.26.481	VDI30x26x50-rük	30	65	35	50	26
30.32.481	VDI30x32x50-rük	30	65	35	50	32
40.32.481	VDI40x32x50-rük	40	85	42.5	50	32
50.32.481	VDI50x32x50-rük	50	100	50	50	32

We reserve the right to make technical changes.

Toolholders for cut off tools adjustable in height $\pm 0.5\text{mm}$ left

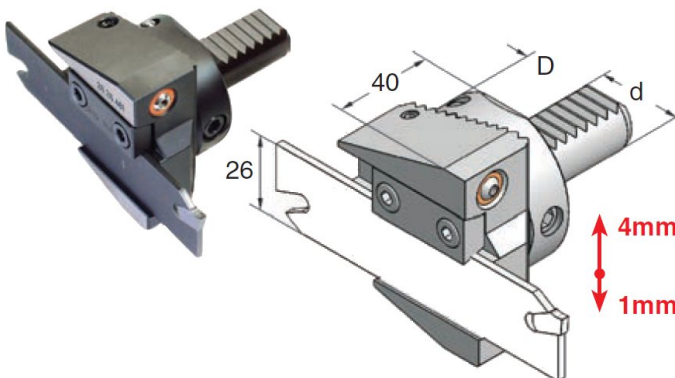
Delivery without tool



Art.-Nr.	Type	d	b	b1	l	h1
30.26.482	VDI30x26x50-l	30	65	35	50	26
30.32.482	VDI30x32x50-l	30	65	35	50	32
40.26.482	VDI40x26x50-l	40	85	42.5	50	26
40.32.482	VDI40x32x50-l	40	85	42.5	50	32
50.32.482	VDI50x32x50-l	50	100	50	50	32

Toolholders for cut off tools adjustable height right

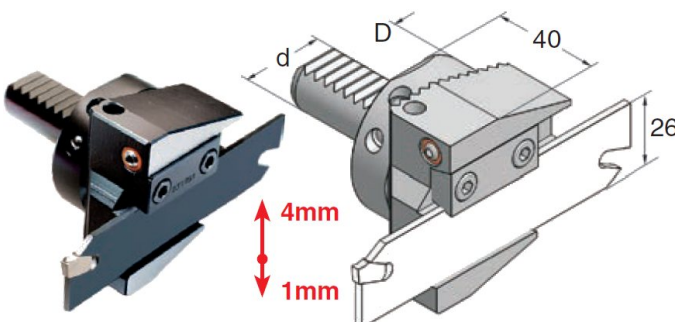
Delivery without tool



Art.-Nr.	Type	d	D
20.26.481	VDI20x26x40-r	20	50
25.26.481	VDI25x26x40-r	25	58

Toolholders for cut off tools adjustable height left

Delivery without tool



Art.-Nr.	Type	d	D
20.26.482	VDI20x26x40-l	20	50
25.26.482	VDI25x26x40-l	25	58

We reserve the right to make technical changes.