



Toolholders for star-turret DIN 69880 / DIN ISO 10889

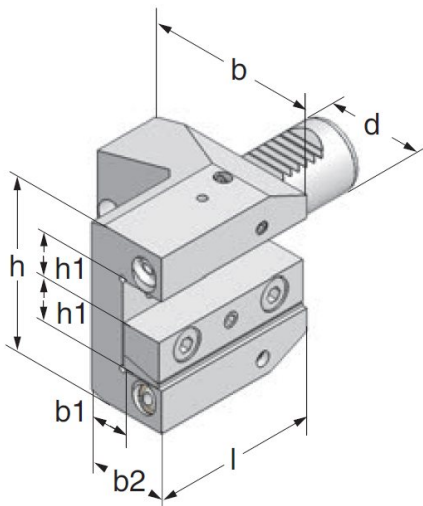
Multiple-turning-toolholders form C1-C4

Double tooling

Delivery without tools



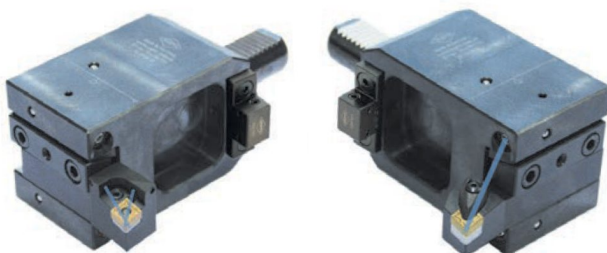
Art.-Nr.	d	b	b1	b2	h	h1	l
30.20.043E	30	89	16	54	78	20	85



One turning-toolholder - four possibilities:
left - right - forehead - overhead

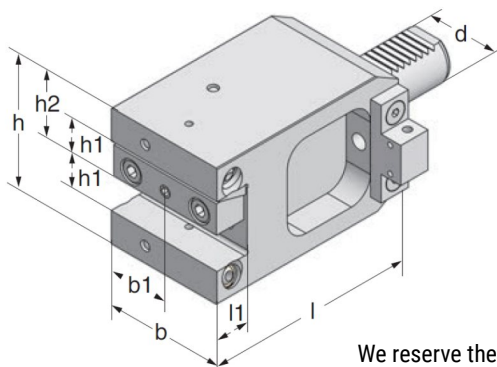
Multiple-turning-toolholders form B1-B4

Delivery without tools



Art.-Nr.	d	b	b1	h	h1	h2	l	l1
30.20.063E	30	70	35	78	20	39	120	20
40.25.063E	40	96	48	94	25	47	125	25

Stop left and right mountable



One turning-toolholder - four possibilities:
left - right - forehead - overhead

We reserve the right to make technical changes.