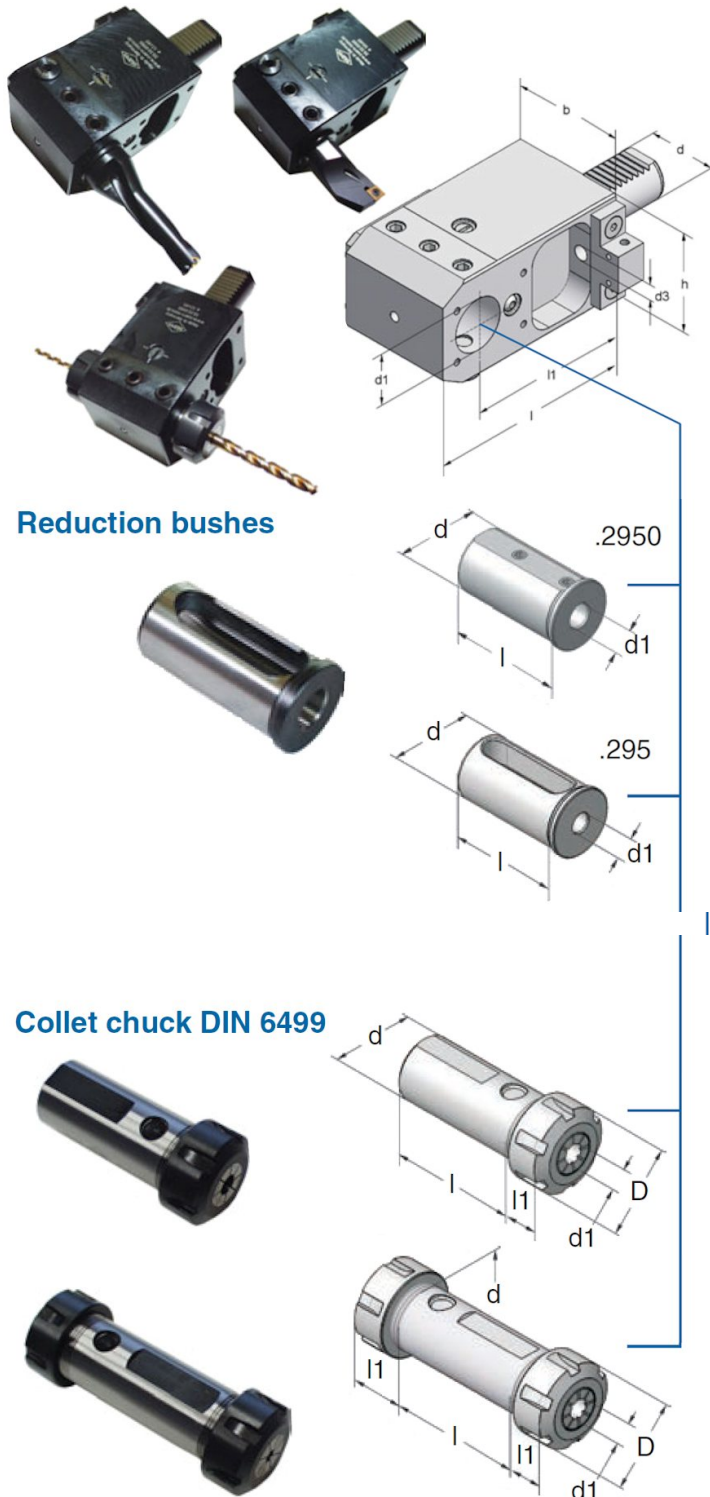




## Toolholders for star-turret DIN 69880 / DIN ISO 10889

### VDI 25 Combi toolholders

Coolant supply internal + external



Art.-Nr.	Type	d	d1	b	h	l	l1	d3
25.25.0075	VDI25x25x75	25	25	60	54	98	75	7
25.32.0075	VDI25x32x75	25	32	60	54	98	75	7

Stop left and right mountable

Delivery without tool

Art.-Nr.	d	d1	l
25.06.2950	25	6	50
25.08.2950	25	8	50
25.10.295	25	10	50
25.12.295	25	12	50
25.14.295	25	14	50
25.16.295	25	16	50
25.18.295	25	18	50
25.20.295	25	20	50
32.06.2950	32	6	60
32.08.2950	32	8	60
32.10.2950	32	10	60
32.12.295	32	12	60
32.14.295	32	14	60
32.16.295	32	16	60
32.18.295	32	18	60
32.20.295	32	20	60
32.25.295	32	25	60

Art.-Nr.	Type	d	d1	D	l	l1
845101	ER 25	25	2-16	430E	42	58
846101	ER 25	32	2-16	430E	42	58

Art.-Nr.	Type	d	d1	D	l	l1
822101	ER 25	32	2-16	430E	42	60
841101	Sealing nut ER25					

We reserve the right to make technical changes.