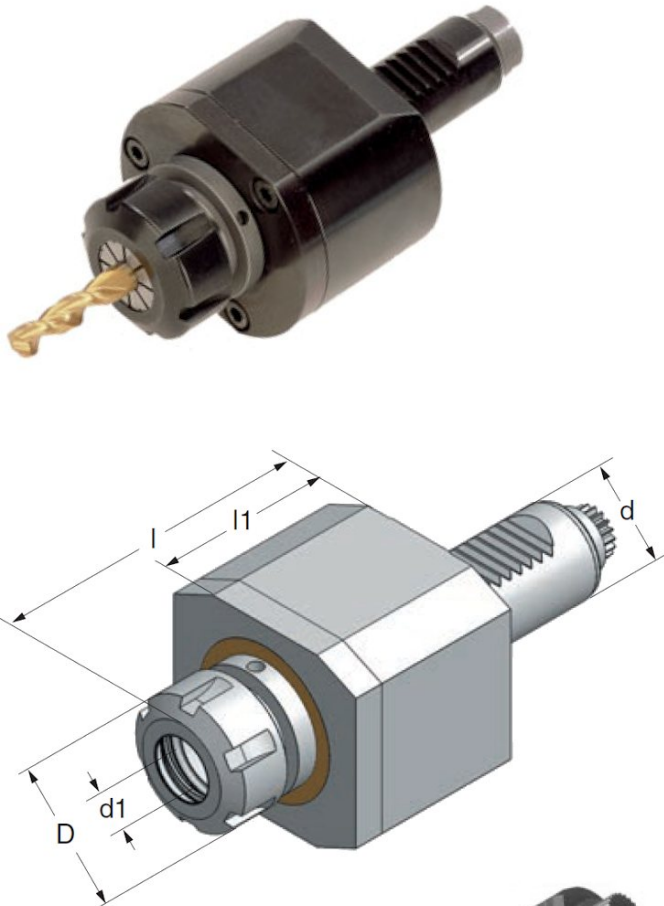


Driven tools DIN 69880 / DIN ISO 10889

Axial drilling and milling head

Delivery without tool and collet



Sauter-Revolver DIN 5480 **CTX**

Sauter-Revolver DIN 5482 **5482**

Diplomatic DIN 1809 **1809**

Barrufaldi TOEM **TOEM**



Art.-Nr.	Type	d	d1	D	l	l1
4.2016CTX	VDI20xER16	20	1-10	28	76	49
4.2020CTX	VDI20xER20	20	1-13	34	76	49
4.20161809	VDI20xER16	20	1-10	28	76	40
4.2525K5480	VDI25xER25	25	1-16	42	86	58
4.2520G200	VDI25xER20	25	1-13	34	66	55
4.3025CTX	VDI30xER25	30	1-16	42	88	58
4.3025CTXk	VDI30xER25	30	1-16	42	88	58
4.3032CTX	VDI30xER32	30	2-20	50	88	58
4.30255482	VDI30xER25	30	1-16	42	88	58
4.30255482k	VDI30xER25	30	1-16	42	88	58
4.30251809	VDI30xER25	30	1-16	42	88	58
4.30251809k	VDI30xER25	30	1-16	42	88	58
4.3025TOEM	VDI30xER25	30	1-16	42	88	58
4.3025TOEMk	VDI30xER25	30	1-16	42	88	58
4.3025LT10	VDI30xER25	30	1-16	42	88	58
4.3025LT10k	VDI30xER25	30	1-16	42	88	58
4.3025GU600	VDI30xER25	30	1-16	42	88	58
4.4032CTX	VDI40xER32	40	2-20	50	110	76
4.4032CTXk	VDI40xER32	40	2-20	50	110	76
4.40325482	VDI40xER32	40	2-20	50	110	76
4.40325482k	VDI40xER32	40	2-20	50	110	76
4.40321809	VDI40xER32	40	2-20	50	110	76
4.40321809k	VDI40xER32	40	2-20	50	110	76
4.4032TOEM	VDI40xER32	40	2-20	50	110	76
4.4032TOEMk	VDI40xER32	40	2-20	50	110	76
4.4032LT15	VDI40xER32	40	2-20	50	110	76
4.4032LT15k	VDI40xER32	40	2-20	50	110	76
4.4032HAASL20	VDI40xER32	40	2-20	50	110	76
4.4032GU800	VDI40xER32	40	2-20	50	110	58
4.4032GU800k	VDI40xER32	40	2-20	50	110	58
4.4032TMM250	VDI40xER32	40	2-20	50	110	58

In case of inquiry please indicate details of type of machine as shown

We reserve the right to make technical changes.

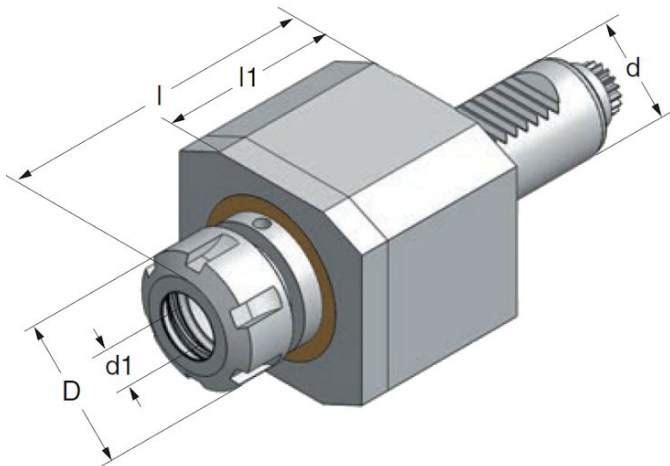
Axial drilling and milling head

Delivery without tool and collet



Art.-Nr.	Type	d	d1	D	l	l1
4.50405480	VDI50xER40	50	3-30	63	120	80
4.50405480k	VDI50xER40	50	3-30	63	120	80
4.50405482	VDI50xER40	50	3-30	63	120	80
4.50405482k	VDI50xER40	50	3-30	63	120	80
4.50401809	VDI50xER40	50	3-30	63	120	80
4.50401809k	VDI50xER40	50	3-30	63	120	80

Type k with internal cooling supply



Sauter-Revolver DIN 5480 CTX



Sauter-Revolver DIN 5482 5482



Duplomatic DIN 1809 1809



Barrufaldi TOEM TOEM



In case of inquiry please indicate details of type of machine as shown

We reserve the right to make technical changes.