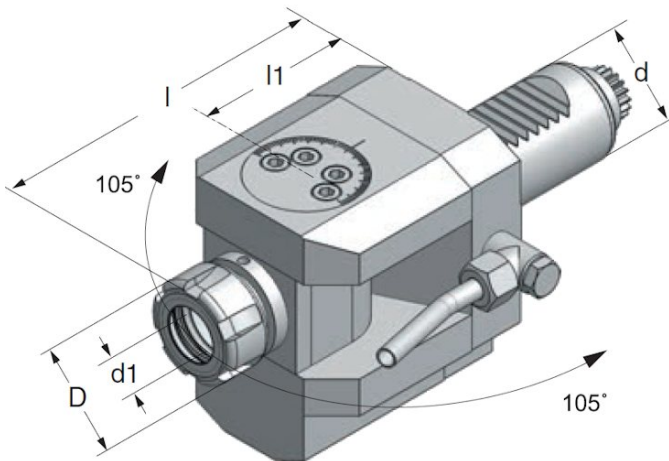


Driven tools DIN 69880 / DIN ISO 10889

Swivel head

Delivery without tool and collet



Art.-Nr.	Type	d	d1	D	l	l1
5.20165480	VDI20xER16	20	1-10	28	118	64
5.20161809	VDI20xER16	20	1-10	28	118	64
5.2016TOEM	VDI20xER16	20	1-10	28	118	64
5.25205480	VDI25xER20	25	1-13	34	115	58
5.3020CTX	VDI30xER20	30	1-13	34	102	53
5.30205482	VDI30xER20	30	1-13	34	102	53
5.30201809	VDI30xER20	30	1-13	34	102	53
5.3020TOEM	VDI30xER20	30	1-13	34	102	53
5.4025CTX	VDI40xER25	40	1-16	42	129	66
5.4025LCTX	VDI40xER25	40	1-16	42	150	87
5.40255482	VDI40xER25	40	1-16	42	120	57
5.40251809	VDI40xER25	40	1-16	42	120	57
5.4025TOEM	VDI40xER25	40	1-16	42	120	57
5.50325480	VDI50xER32	50	3-20	50	150	87

Sauter-Revolver DIN 5480 **CTX**



Sauter-Revolver DIN 5482 **5482**



Diplomatic DIN 1809 **1809**



Barrufaldi TOEM **TOEM**



In case of inquiry please indicate details of **type** of machine as shown

We reserve the right to make technical changes.