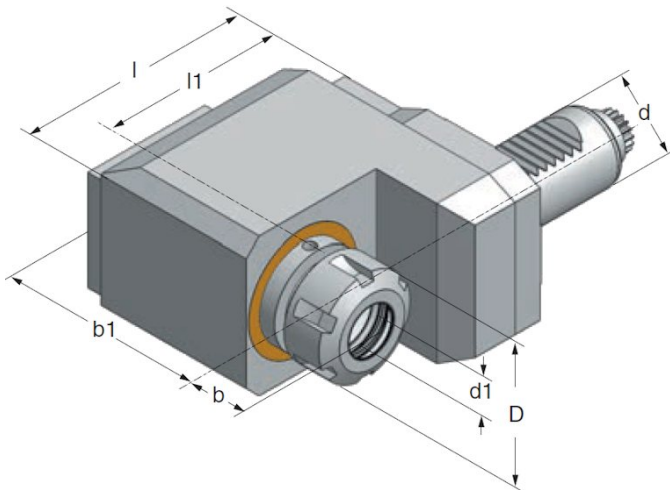


Driven tools DIN 69880 / DIN ISO 10889

Radial drilling and milling head set back



Picture shows Type R



Sauter-Revolver DIN 5480 **CTX**



Sauter-Revolver DIN 5482 **5482**



Diplomatic DIN 1809 **1809**



Barrufaldi TOEM **TOEM**



In case of inquiry please indicate details of **type** of machine as shown

Art.-Nr.	Type	d	d1	l	l1	b	b1
8.16125480ZR	VDI16xER11	16	1- 7	61	45	15	53
8.20165480 R	VDI20xER16	20	1-10	77	54	22	81
8.20165480 L	VDI20xER16	20	1-10	77	54	22	81
8.20165480 R	VDI20xER16	20	1-10	77	54	22	81
8.20161809 L	VDI20xER16	20	1-10	77	54	22	81
8.2016TOEM R	VDI20xER16	20	1-10	78	58	22	80
8.2016TOEM L	VDI20xER16	20	1-10	78	58	22	80
8.2525L5480 R	VDI25xER25	25	1-16	104	75	42	70
8.2525L5480 L	VDI25xER25	25	1-16	104	75	42	70
8.3025CTX R	VDI30xER25	30	1-16	115	70	21	83
8.3025CTX L	VDI30xER25	30	1-16	115	70	21	83
8.3025LCTX RL	VDI30xER25	30	1-16	126	100	42	69
8.3025LCTX RLk	VDI30xER25	30	1-16	126	100	42	69
8.30255482 R	VDI30xER25	30	1-16	115	70	21	83
8.30255482 L	VDI30xER25	30	1-16	115	70	21	83
8.30251809 R	VDI30xER25	30	1-16	115	70	21	83
8.30251809 L	VDI30xER25	30	1-16	115	70	21	83
8.3025TOEM R	VDI30xER25	30	1-16	115	70	21	83
8.3025TOEM L	VDI30xER25	30	1-16	115	70	21	83
8.3025TOEM Rk	VDI30xER25	30	1-16	115	70	21	83
8.3025TOEM Lk	VDI30xER25	30	1-16	115	70	21	83

Type R right hand design as shown

Type L left hand design reversed

Type RL with doubletoothed VDI-shaft

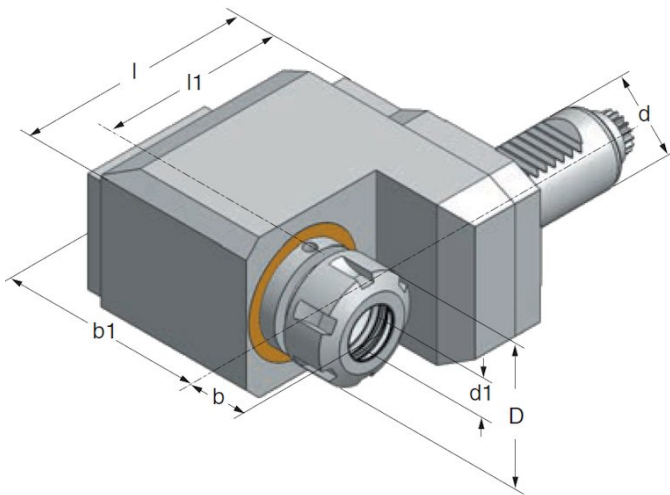
Type k with internal cooling supply

We reserve the right to make technical changes.

Radial drilling and milling head set back



Picture shows Type R



Art.-Nr.	Type	d	d1	l	l1	b	b1
8.4032CTX R	VDI40xER32	40	2-20	128	90	32	100
8.4032CTX L	VDI40xER32	40	2-20	128	90	32	100
8.4032CTX Rk	VDI40xER32	40	2-20	128	90	32	100
8.4032CTX Lk	VDI40xER32	40	2-20	128	90	32	100
8.4032CTX RL	VDI40xER32	40	2-20	138	100	31	100
8.4032CTX RLk	VDI40xER32	40	2-20	138	100	31	100
8.4032LCTX RL	VDI40xER32	40	2-20	158	120	31	100
8.40325482 R	VDI40xER32	40	2-20	128	90	32	100
8.40325482 L	VDI40xER32	40	2-20	128	90	32	100
8.40321809 R	VDI40xER32	40	2-20	128	90	32	100
8.40321809 L	VDI40xER32	40	2-20	128	90	32	100
8.40321809 Rk	VDI40xER32	40	2-20	128	90	32	100
8.40321809 Lk	VDI40xER32	40	2-20	128	90	32	100
8.4032TOEM R	VDI40xER32	40	2-20	128	90	32	100
8.4032TOEM L	VDI40xER32	40	2-20	128	90	32	100
8.4032TMM250	VDI40xER32	40	2-20	128	90	32	100
8.50405480 R	VDI50xER40	50	3-30	156	112	30	126
8.50405480 L	VDI50xER40	50	3-30	156	112	30	126
8.50405480 Rk	VDI50xER40	50	3-30	156	112	30	126
8.50405480 Lk	VDI50xER40	50	3-30	156	112	30	126

Type R right hand design as shown

Type L left hand design reversed

Type RL with doubletoothed VDI-shaft

Type k with internal cooling supply

Sauter-Revolver DIN 5480 CTX



Sauter-Revolver DIN 5482 5482



Diplomatic DIN 1809 1809



Barrufaldi TOEM TOEM



In case of inquiry please indicate details of type of machine as shown

We reserve the right to make technical changes.