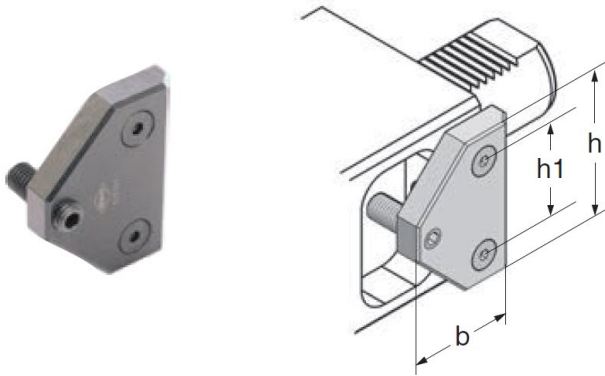


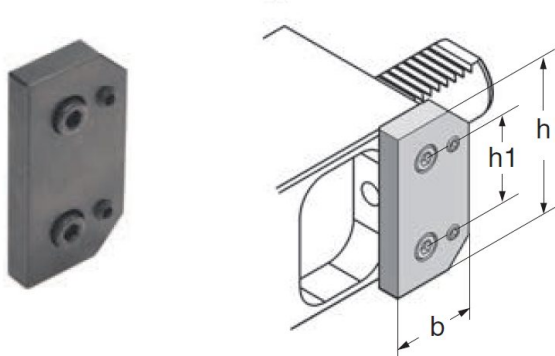
**Toolholders for star-turret DIN 69880 / DIN ISO 10889**

**Adjust plates for combi toolholder**



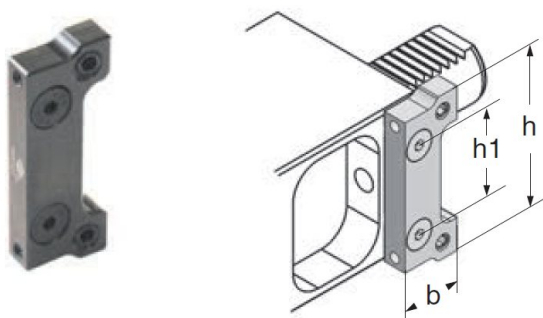
Art.-Nr.	Type	b	h	h1
579101	VDI 25	40	54	38
576101	VDI 30	50	68	38
523101	VDI 40	50	66	42

**Adjust plates for combi toolholder**



Art.-Nr.	Type	b	h	h1
503101	VDI 30	35	68	38

**Adjust plates for combi toolholder**



Art.-Nr.	Type	b	h	h1
865101	Traub TNX 65	25	70	38

We reserve the right to make technical changes.